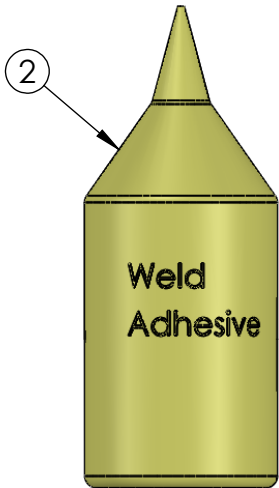
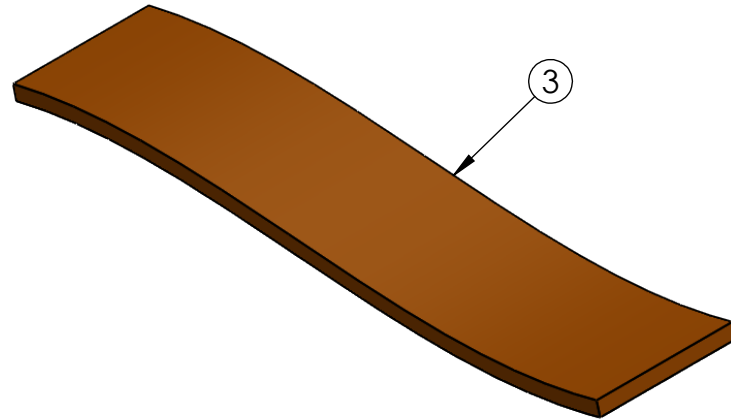


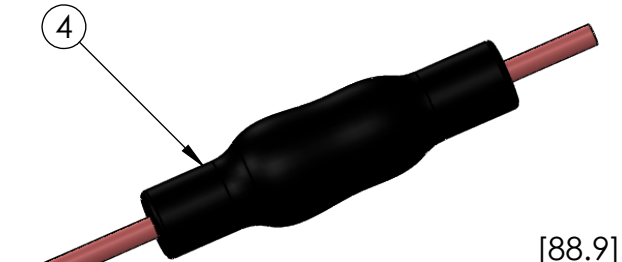
B



2

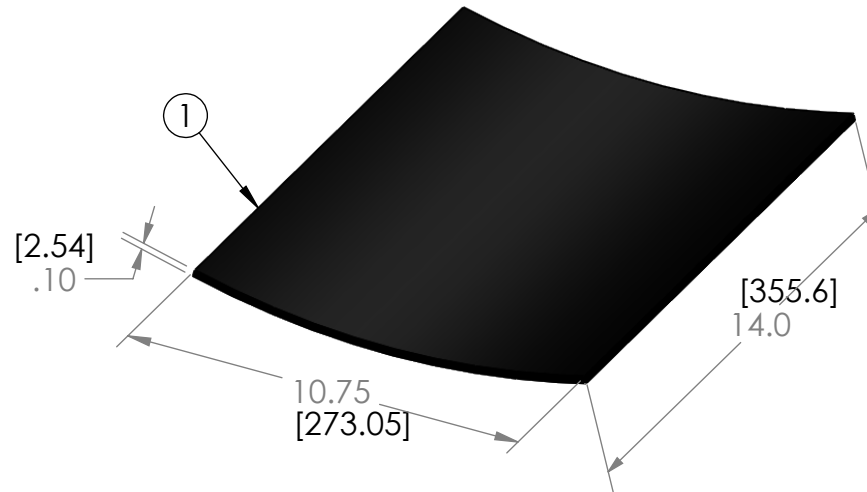


3



[88.9]  
suggested max diameter 3.5  
suggested max width 9.5  
[241.3]

B



1

[2.54]  
.10

10.75  
[273.05]

[355.6]  
14.0

A

ITEM NO.	PART NUMBER	QTY.
1	Heat Shrink Jacket	10
2	Weld Adhesive	1
3	Abrasive Cloth	1
4	Recovered Assembly	10

UNLESS OTHERWISE SPECIFIED:

DIMENSIONS ARE IN INCHES  
TOLERANCES:  
FRACTIONAL ±  
ANGULAR: MACH ± BEND ±  
TWO PLACE DECIMAL ±  
THREE PLACE DECIMAL ±

INTERPRET GEOMETRIC  
TOLERANCING PER:

MATERIAL

FINISH

DO NOT SCALE DRAWING

	NAME	DATE
DRAWN	RB	6-2021
CHECKED		
ENG APPR.		
MFG APPR.		
Q.A.		

COMMENTS:

Jacket supplied  
with hot melt glue

1

NU-TECH  
TITLE:  
NUWS4.50

SIZE	DWG. NO.	REV
<b>A</b>		
SCALE: 1:1	WEIGHT:	SHEET 1 OF 1

1

A