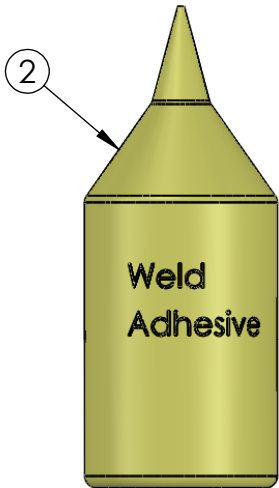
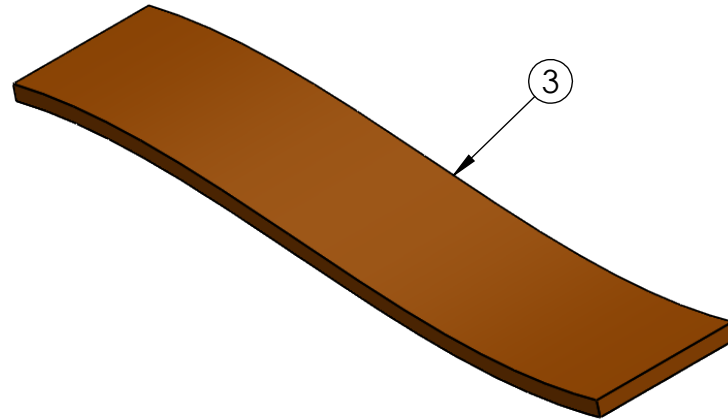


B



2



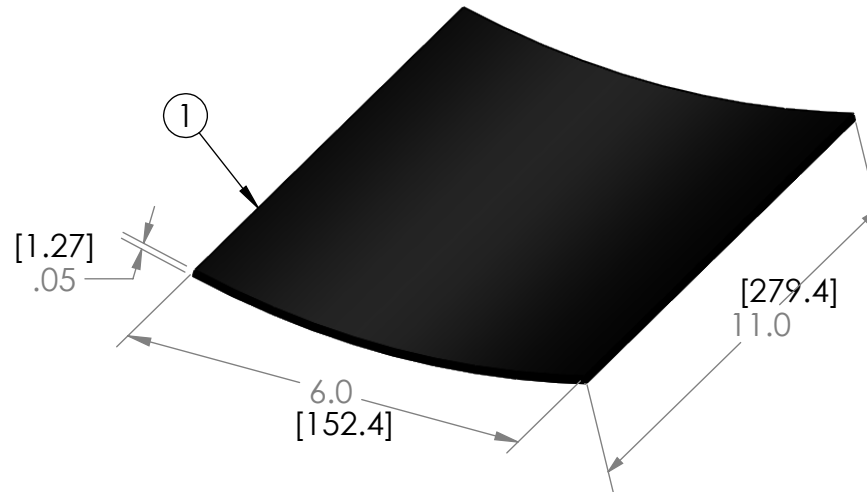
3



4

[101.6]  
suggested max diameter 4.0  
suggested max width 10.0  
[254.]

B



1

[1.27]  
.056.0  
[152.4][279.4]  
11.0

A

UNLESS OTHERWISE SPECIFIED:

DIMENSIONS ARE IN INCHES  
TOLERANCES:  
FRACTIONAL ±  
ANGULAR: MACH ± BEND ±  
TWO PLACE DECIMAL ±  
THREE PLACE DECIMAL ±

INTERPRET GEOMETRIC  
TOLERANCING PER:

MATERIAL

FINISH

DO NOT SCALE DRAWING

DRAWN

NAME

RB

DATE

6-2021

CHECKED

ENG APPR.

MFG APPR.

Q.A.

COMMENTS:

Jacket supplied  
with hot melt glue

TITLE:

NU-TECH

NUWS1.50

SIZE

A

DWG. NO.

REV

SCALE: 1:1

WEIGHT:

SHEET 1 OF 1

ITEM NO.	PART NUMBER	QTY.
1	Heat Shrink Jacket	10
2	Weld Adhesive	1
3	Abrasive Cloth	1
4	Recovered Assembly	10

2

1

A