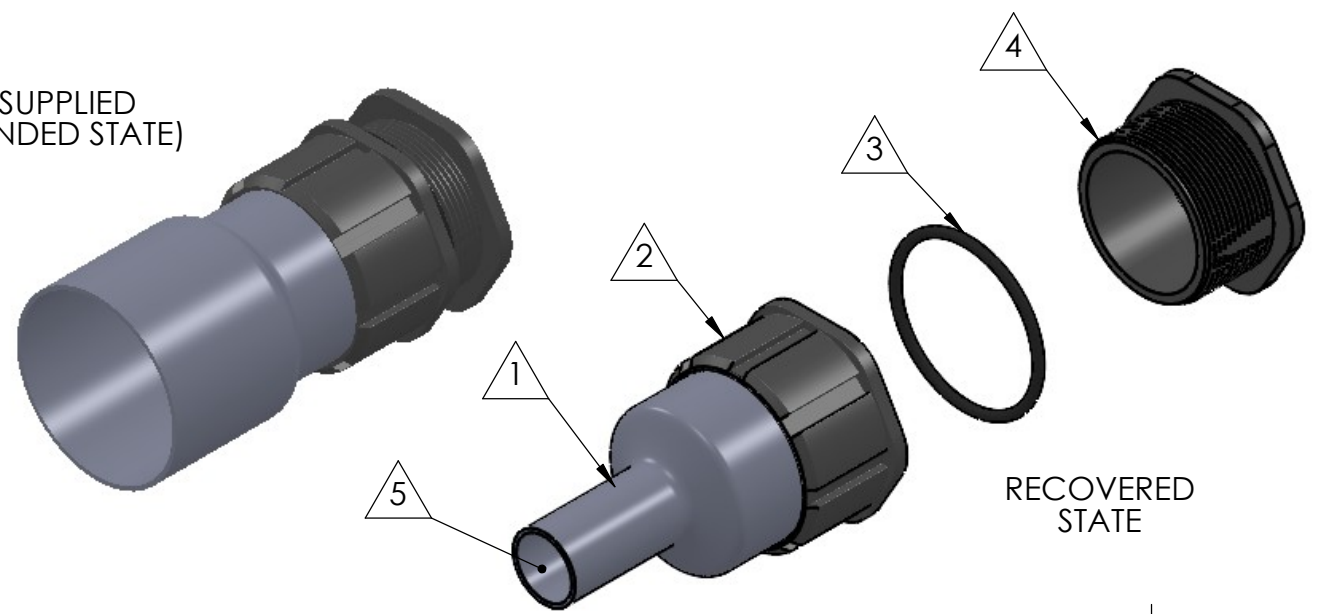


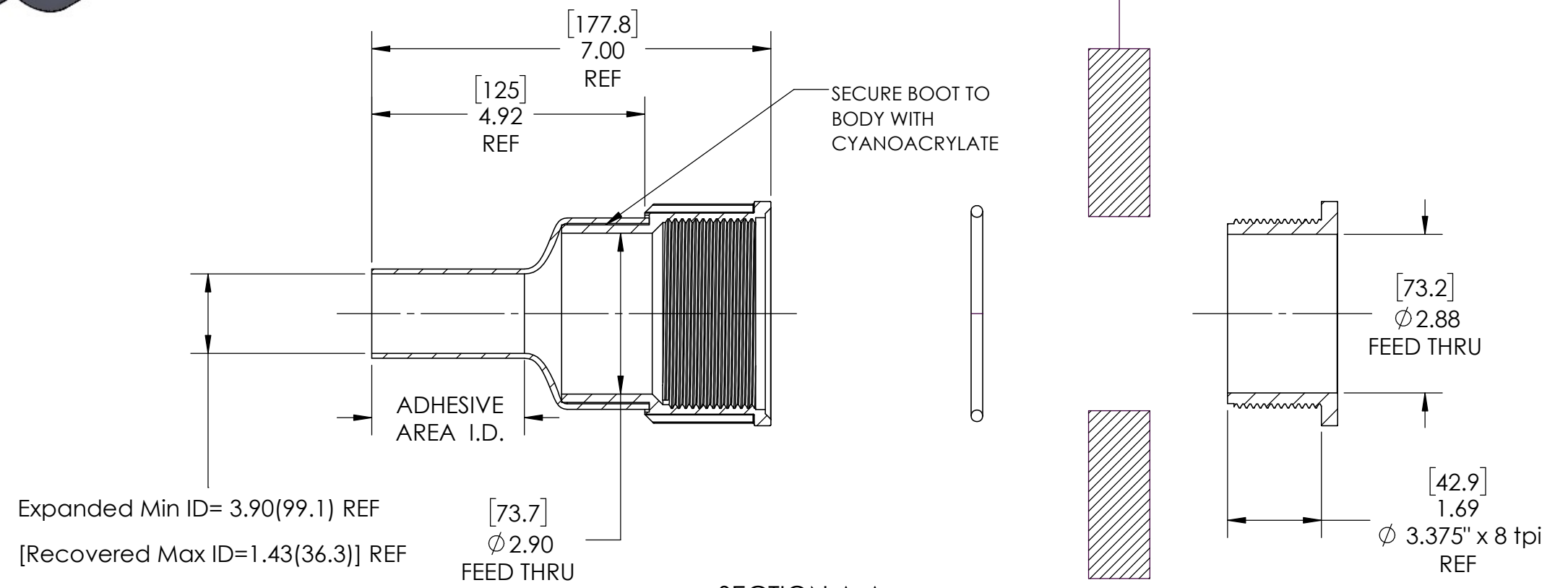
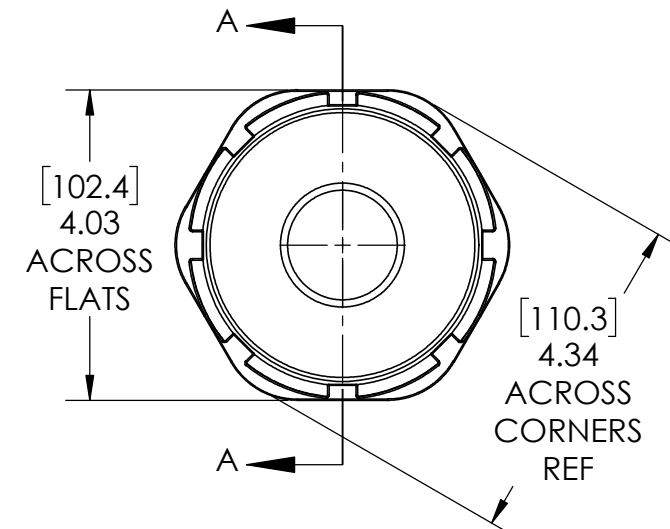
REVISIONS		
REV.	DESCRIPTION	DATE
A	UPDATE DRAWING TO 2025 STANDARDS	10/28/2025
B	REFINE DIMENSIONS AND DECIMAL PRECISION	12/16/2025
C	UPDATE TOLERANCE TABLE	12/29/2025

AS SUPPLIED
(EXPANDED STATE)



RECOVERED
STATE

NOTE: REFERENCE FOR SEAL ASSEMBLY INSTALLATION:
ASSEMBLY MAY BE INSTALLED IN PANELS FROM
0.18"(4.4mm) - 0.95"(24.1mm).
RECCOMENDED DRILL HOLE DIAMETER
OF 3.50" (88.9mm)



SECTION A-A
RECOVERED
SCALE 1 : 2.5

NOTES:

- ITEM# 1 HEAT SHRINKABLE BOOT MATERIAL IS IN ACCORDANCE WITH POLYOLEFIN STANDARDS DEFINED IN SAE AS81765/1 REFERENCE DIMENSIONS MAY DEVIATE AS MUCH AS +OR- 1/4"
- FACTORY APPLIED HOT MELT ADHESIVE IS STANDARD

PROPRIETARY AND CONFIDENTIAL

THE INFORMATION CONTAINED IN THIS DRAWING IS THE SOLE PROPERTY OF Cross Technology INC. ANY REPRODUCTION IN PART OR AS A WHOLE WITHOUT THE WRITTEN PERMISSION OF Cross Technology INC. IS PROHIBITED.

ITEM	PART DESCRIPTION	PART NO.	MATERIAL
①	Heat-shrinkable boot	S-5OE BOOT	Flame Retardant Polyolefin
②	Body	S-5B	Glass Fiber Reinforced, PBT
③	O-ring	AS-340	Buna
④	Nut	S-5N	Glass Fiber Reinforced, PBT
⑤	Adhesive		Hotmelt Polyamide

NU-TECH

UNLESS OTHERWISE SPECIFIED:
DIMENSIONS ARE IN INCHES
TOLERANCES:
FRACTIONAL ± 1/32
ONE DECIMAL PLACE ± 0.060
TWO DECIMAL PLACE ± 0.025
THREE DECIMAL PLACE ± 0.010

PART NO.
NUS-50E
DWG. NO. NUS-50E-ASSY

DO NOT SCALE DRAWING

WEIGHT: 0.972 REV C

DRAWN: MLJ

DATE: 2/3/2026

SCALE: 1:2.5

SHEET 1 OF 1