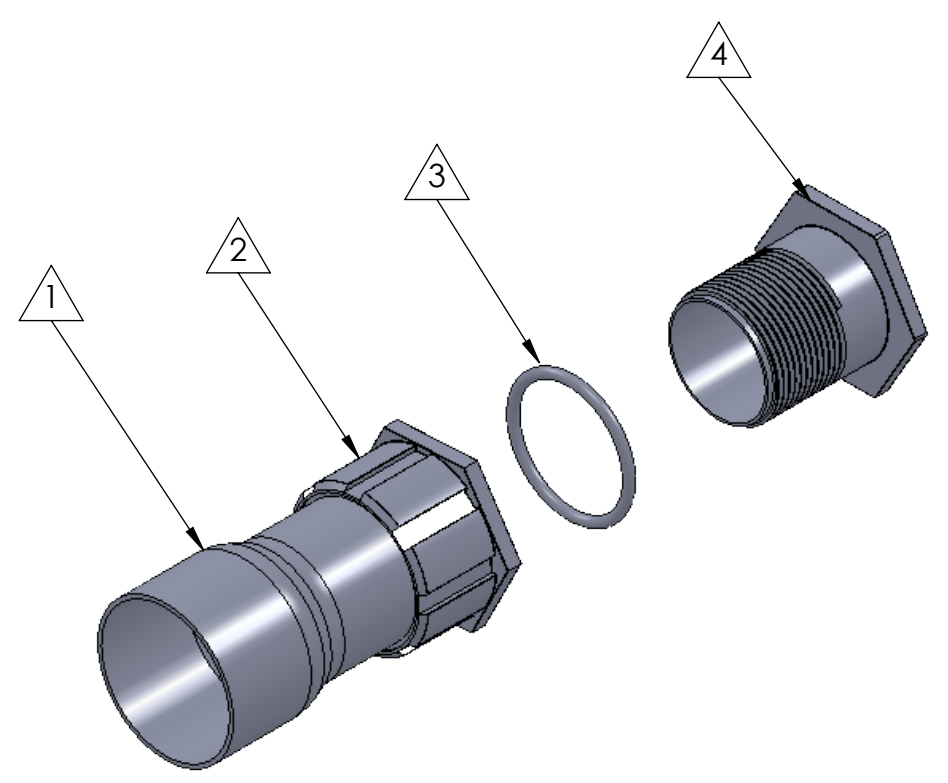


Expanded Min ID=  $\phi$  2.750(69.85)  
 [Recovered Max ID=  $\phi$  .750(19.05)]

SECTION A-A



ITEM	PART DESCRIPTION	PART NO.	MATERIAL
①	Heat-shrinkable boot	M-3/4" x 5.50" HRT	HS 3123
②	Body	S-4B	Nylon
③	O-ring	S-4XOR	Buna
④	Nut	S-4XLN	Nylon
⑤	Adhesive	A-010	Hotmelt ADH
⑥			

**Nu-Tech**

UNLESS OTHERWISE SPECIFIED:  
 DIMENSIONS ARE IN INCHES  
 TOLERANCES:  
 FRACTIONAL  $\pm 1/32$   
 THREE PLACE DECIMAL  $\pm 0.030$

PART NO.  
**NUS-4XLN**  
 DWG. NO. **S-040-XLN-AEA**

DO NOT SCALE DRAWING

WEIGHT: 0.14      REV

DRAWN: HH

DATE: 12/4/2019

SCALE: 1:3

SHEET 1 OF 1