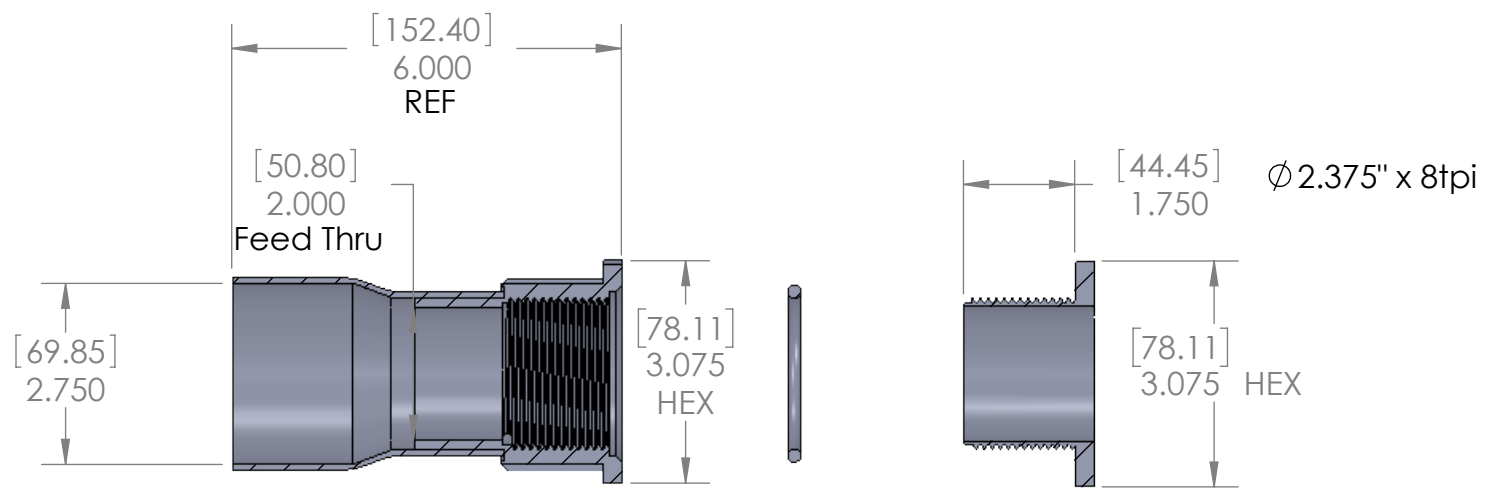
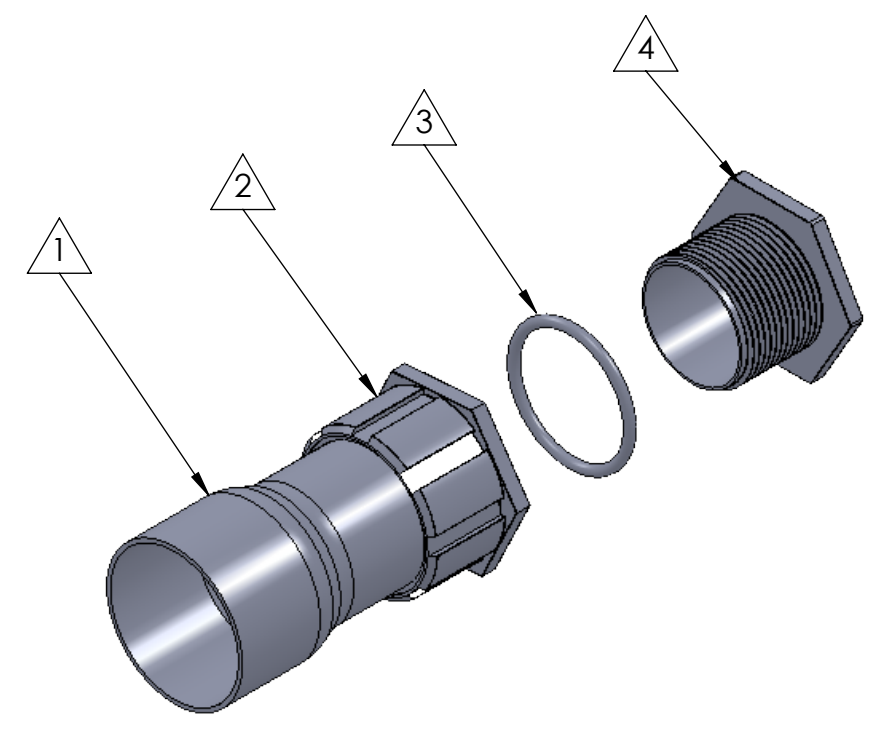
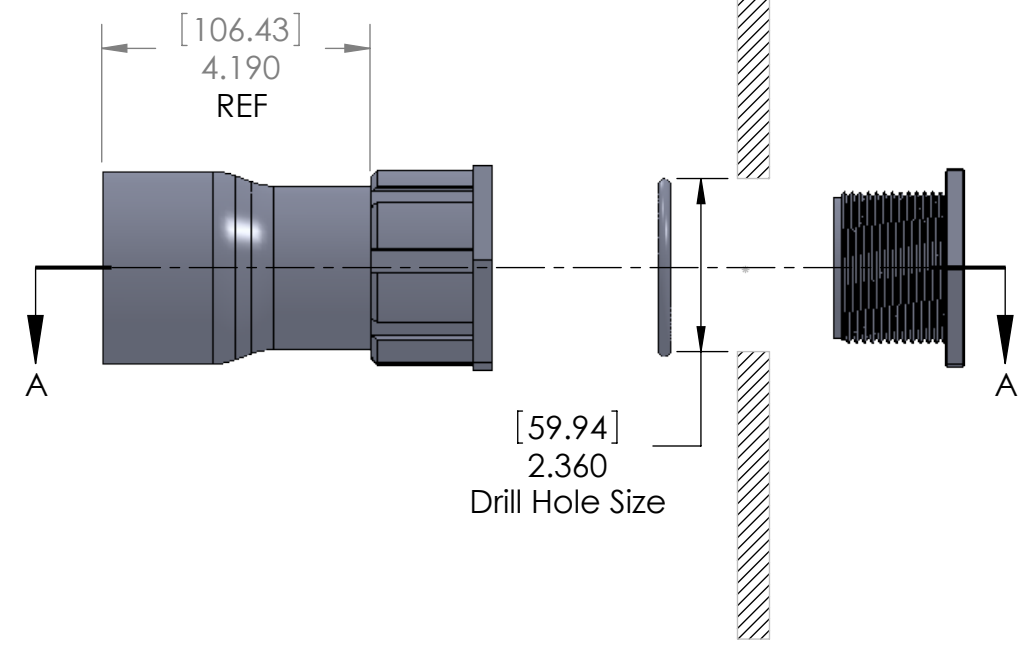


8 7 6 5 4 3 2 1



Expanded Min ID=2.750(69.85)
[Recovered Max ID=.750(19.05)]

SECTION A-A

ITEM	PART DESCRIPTION	PART NO.	MATERIAL
①	Heat-shrinkable boot	M-3/4" x 5.5" HRT	HS 3123
②	Body	S-4XB	Nylon
③	O-ring	S-4XOR	Buna
④	Nut	S-4XN	Nylon
⑤	Adhesive	A-010	Hotmelt ADH
⑥			

Nu-Tech

UNLESS OTHERWISE SPECIFIED:
 DIMENSIONS ARE IN INCHES
 TOLERANCES:
 FRACTIONAL ±1/32
 THREE PLACE DECIMAL ± 0.030

DO NOT SCALE DRAWING

PART NO. NUS-4X	
DWG. NO. S-040-X-AEA	
WEIGHT: 0.15	REV
DRAWN: HH	DATE: 12/4/2019
SCALE: 1:3	SHEET 1 OF 1

A A

8 7 6 5 4 3 2 1