

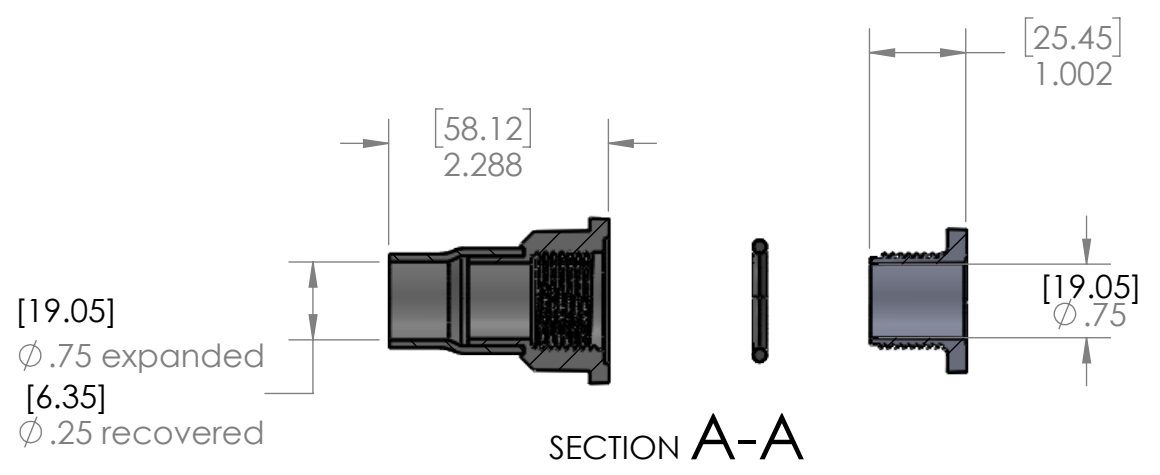
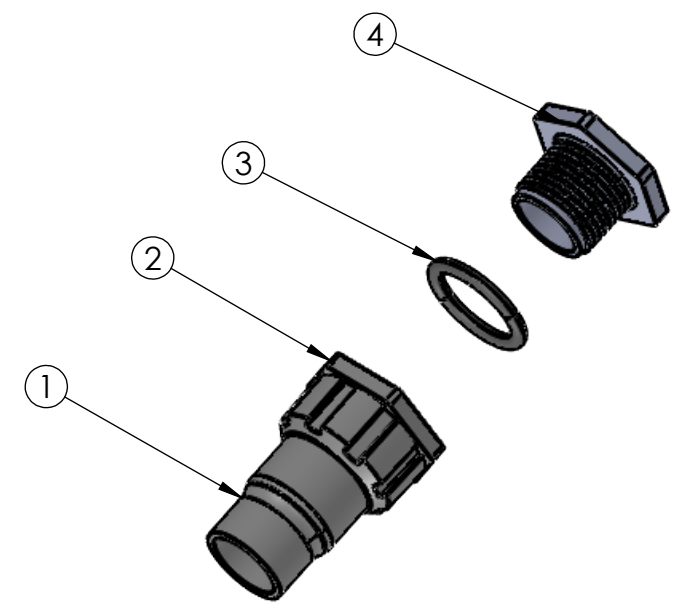
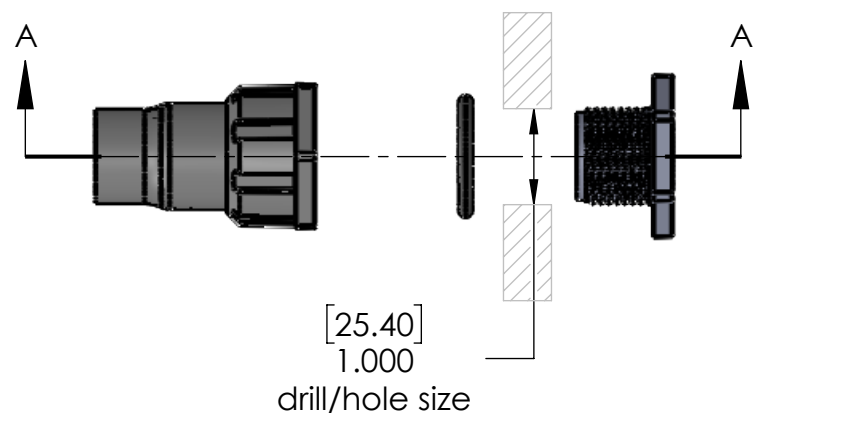
8 7 6 5 4 3 2 1

D

C

B

A



ITEM	PART DESCRIPTION	PART NO.	MATERIAL	Nu-Tech	
①	Heat-shrinkable boot	M-1/4" x 1.75" Tube	HS 3123		
②	Body	S-2B	Nylon	DWG. NO. S-020-H-AEA	
③	O-ring	S-2OR	Buna		
④	Nut	S-2N	Nylon	SCALE: 2:3 SHEET 1 OF 1	
⑤	Adhesive	A-010	Hotmelt ADH		
⑥					

UNLESS OTHERWISE SPECIFIED:
DIMENSIONS ARE IN INCHES
TOLERANCES:
FRACTIONAL ±1/32
THREE PLACE DECIMAL ± 0.030

DO NOT SCALE DRAWING

DRAWN: HH DATE: 6/7/2021