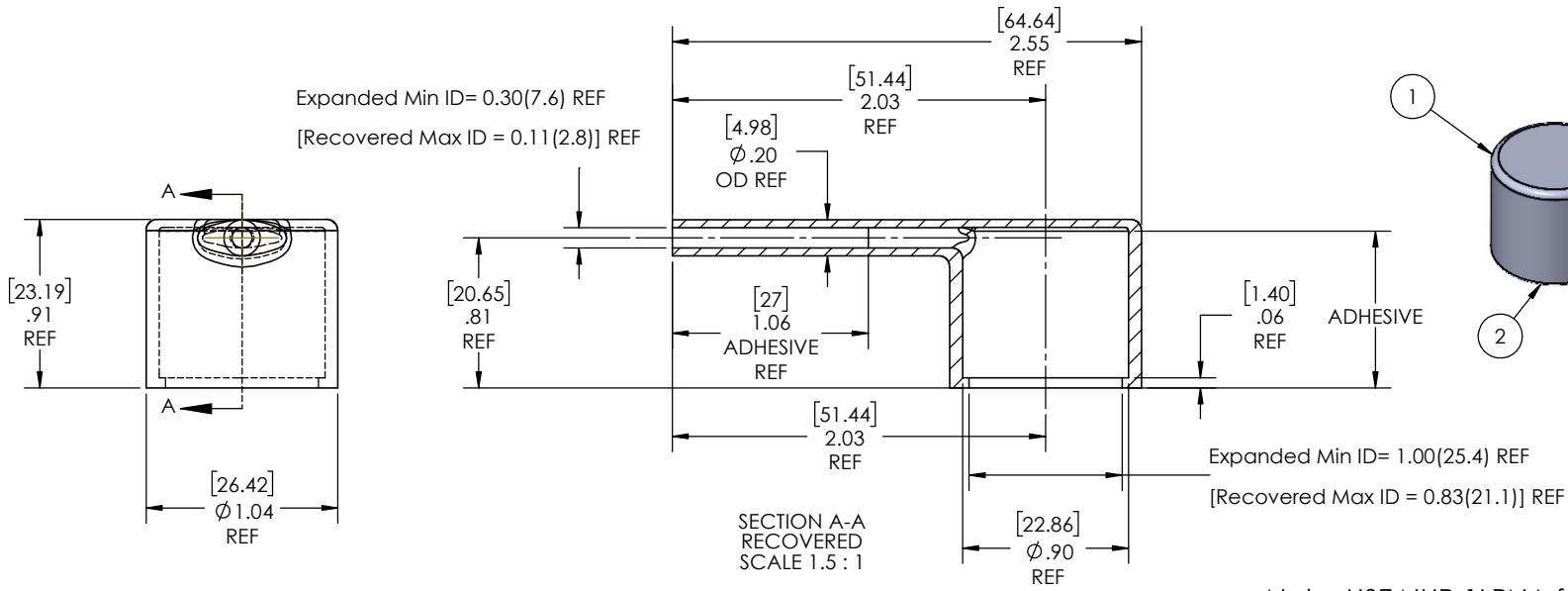
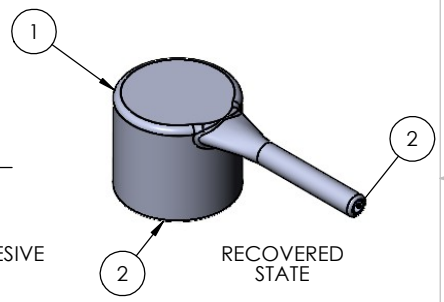
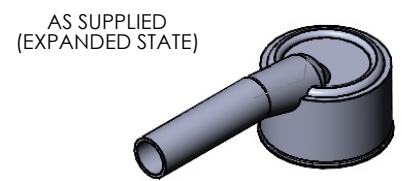
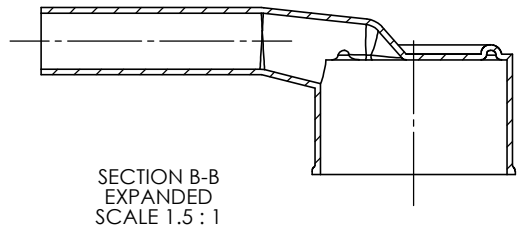
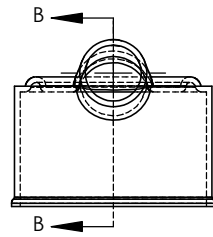


REVISIONS		
REV.	DESCRIPTION	DATE
A	UPDATE DRAWING TO 2025 STANDARDS	3/4/2026



NOTES:

- ITEM#1 - HEAT SHRINKABLE BOOT MATERIAL IS IN ACCORDANCE WITH POLYOLEFIN STANDARDS DEFINED IN SAE AS81765/1 REFERENCE DIMENSIONS MAY DEVIATE AS MUCH AS +OR- 1/4"
- ITEM#2 - FACTORY APPLIED HOT MELT ADHESIVE IS STANDARD - INTERIOR SURFACES.
- ITEM #3 - BOOTS INTENDED FOR NU-TECH ASSEMBLIES WILL HAVE HOTMELT APPLIED INSIDE LEGS ONLY AFTER ASSEMBLY HAS BEEN COMPLETED.

Note: USE NUR-1LPNA for no Adhesive

ITEM	PART DESCRIPTION	PART NO.	MATERIAL
1	HEAT SHRINKABLE BOOT	M-NUR-1LP	FLAME RETARDANT POLYOLEFIN
2	ADHESIVE		HOTMELT POLYAMIDE

**NU-TECH**

**PROPRIETARY AND CONFIDENTIAL**

THE INFORMATION CONTAINED IN THIS DRAWING IS THE SOLE PROPERTY OF Cross Technology INC. ANY REPRODUCTION IN PART OR AS A WHOLE WITHOUT THE WRITTEN PERMISSION OF Cross Technology INC. IS PROHIBITED.

UNLESS OTHERWISE SPECIFIED: PART DESC.	
DIMENSIONS ARE IN INCHES	
TOLERANCES:	
FRACTIONAL $\pm$ 1/16	
ONE DECIMAL PLACE $\pm$ 0.200	
TWO DECIMAL PLACE $\pm$ 0.100	
THREE DECIMAL PLACE $\pm$ 0.050	
DWG. NO.	NUR-1LP
WEIGHT:	0.009
REV	A
DRAWN: MLJ	DATE: 3/25/2026
SCALE:	2:1.5
SHEET 1 OF 1	