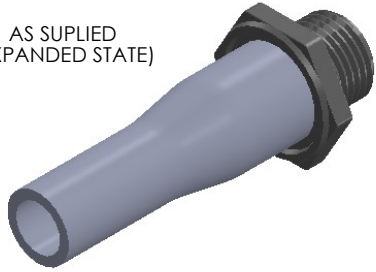


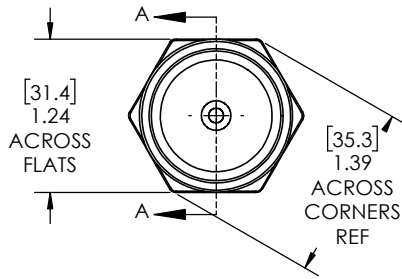
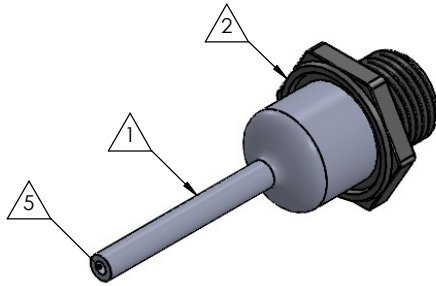
8 7 6 5 4 3 2 1

REVISIONS		
REV.	DESCRIPTION	DATE
A	UPDATE DRAWING TO 2025 STANDARDS	11/20/2025
B	REFINE DIMENSIONS AND DECIMAL PRECISION	12/16/2025
C	UPDATE TOLERANCE TABLE	12/29/2025

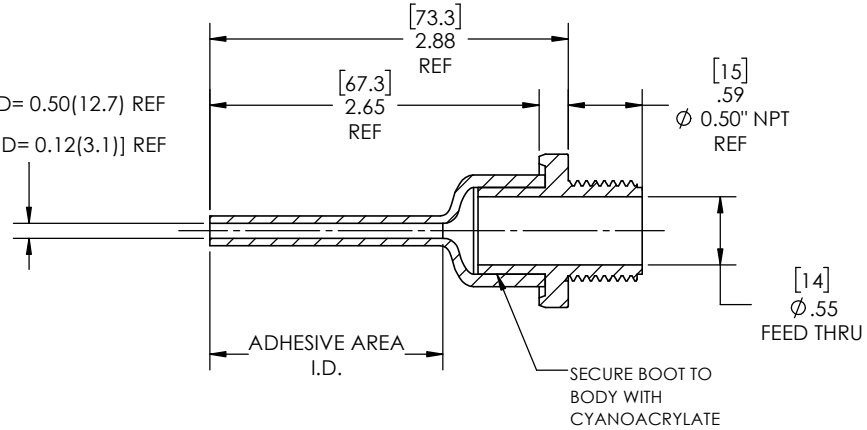
AS SUPPLIED  
(EXPANDED STATE)



RECOVERED  
STATE



Expanded Min ID= 0.50(12.7) REF  
[Recovered Max ID= 0.12(3.1)] REF



SECTION A-A  
RECOVERED  
SCALE 1:1

NOTES:

- ITEM#1 HEAT SHRINKABLE BOOT MATERIAL IS IN ACCORDANCE WITH POLYOLEFIN STANDARDS DEFINED IN SAE AS81765/1 REFERENCE DIMENSIONS MAY DEVIATE AS MUCH AS +OR- 1/4"
- FACTORY APPLIED HOT MELT ADHESIVE IS STANDARD

**PROPRIETARY AND CONFIDENTIAL**

THE INFORMATION CONTAINED IN THIS DRAWING IS THE SOLE PROPERTY OF Cross Technology INC. ANY REPRODUCTION IN PART OR AS A WHOLE WITHOUT THE WRITTEN PERMISSION OF Cross Technology INC. IS PROHIBITED.

ITEM	PART DESCRIPTION	PART NO.	MATERIAL
1	Heat-shrinkable boot	S-1 BOOT	Flame Retardant Polyolefin
2	Body	P-1B	Glass Fiber Reinforced, PBT
3			
4			
5	Adhesive		Hotmelt Polyamide

**NU-TECH**

UNLESS OTHERWISE SPECIFIED:  
DIMENSIONS ARE IN INCHES  
TOLERANCES:  
FRACTIONAL ±1/32  
ONE DECIMAL PLACE ± 0.040  
TWO DECIMAL PLACE ± 0.025  
THREE DECIMAL PLACE ± 0.010

DO NOT SCALE DRAWING

DRAWN: MLJ DATE: 2/3/2026

PART NO.  
**NUP-1**

DWG. NO. **NUP-1-ASSY**

WEIGHT: **0.046**

REV **C**

SCALE: **1:1**

SHEET 1 OF 1

8 7 6 5 4 3 2 1