

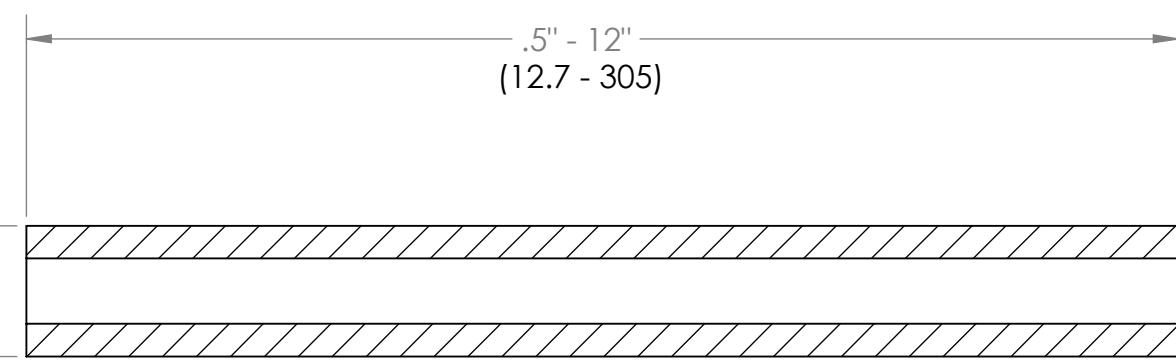
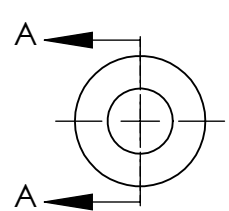
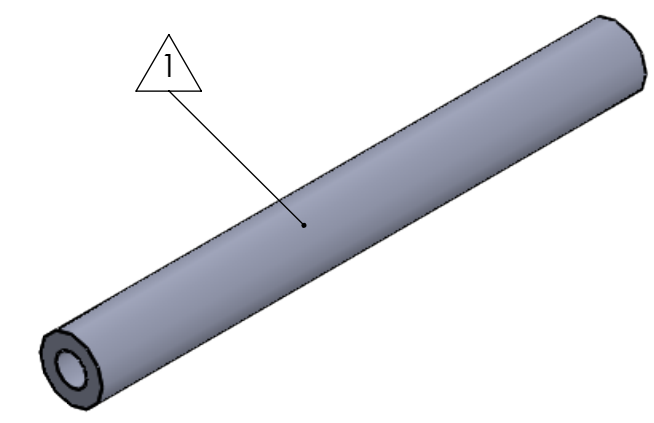
8 7 6 5 4 3 2 1

D

C

B

A



[16.764]  
 $\phi$ .660  
 RECOVERED

.5" - 12"  
 (12.7 - 305)

SECTION A-A  
 SCALE 1 : 1

[8.382]  
 $\phi$ .330  
 RECOVERED  
 [50.800]  
 $\phi$ 2.000  
 EXPANDED

ITEM	PART DESCRIPTION	PART NO.	MATERIAL	<b>Nu-Tech</b>			
	Heat-shrinkable boot		HS 3123			UNLESS OTHERWISE SPECIFIED: DIMENSIONS ARE IN INCHES TOLERANCES: FRACTIONAL $\pm 1/32$ THREE PLACE DECIMAL $\pm 0.030$ DO NOT SCALE DRAWING	
				PART NO. <b>NUHRT 2</b>			
				DWG. NO. <b>PRP:"SW-Title"</b>			
	Adhesive	A-010	Hotmelt ADH	WEIGHT: SW-Mass@par19.SLDPRT    REV			
				DRAWN: HH    DATE: 5/27/2021	SCALE: 1:2    SHEET 1 OF 1		

8 7 6 5 4 3 2 1