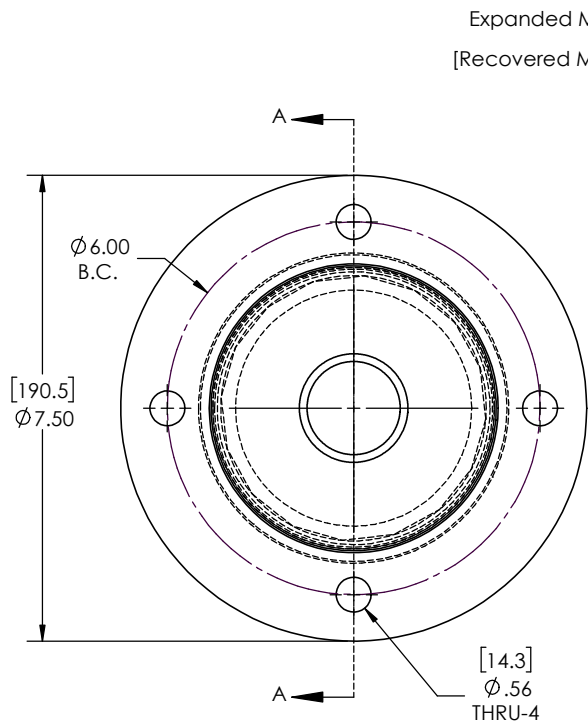
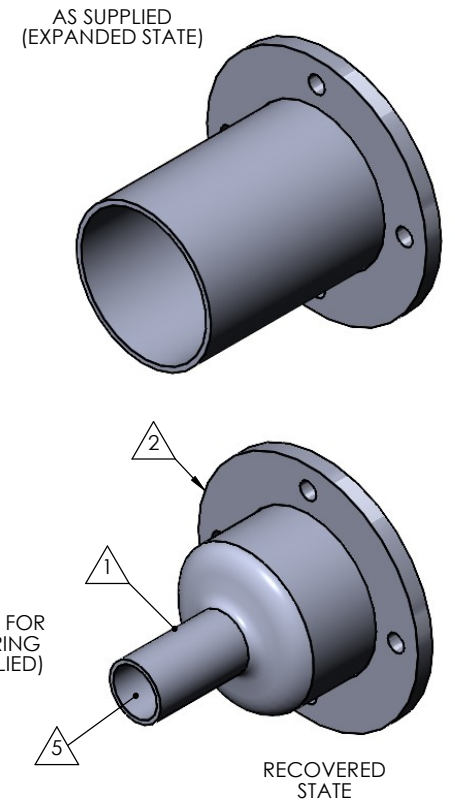
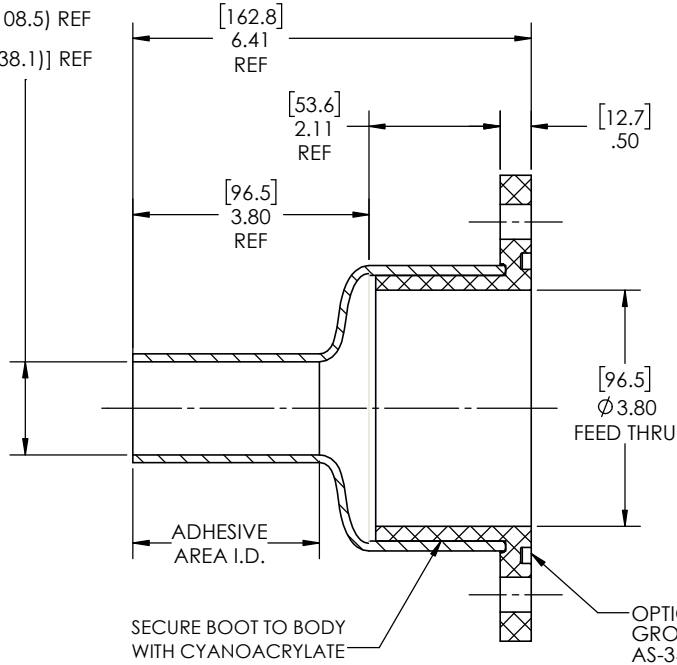


REVISIONS		
REV.	DESCRIPTION	DATE
A	UPDATE DRAWING TO 2025 STANDARDS	1/20/2026



Expanded Min ID=4.27(108.5) REF
 [Recovered Max ID=1.50(38.1)] REF



SECTION A-A
 RECOVERED
 SCALE 1 : 2

- NOTES:
- ITEM #1 HEAT SHRINKABLE BOOT MATERIAL IS IN ACCORDANCE WITH POLYOLEFIN STANDARDS DEFINED IN SAE AS81765/1 REFERENCE DIMENSIONS MAY DEVIATE AS MUCH AS +OR- 1/4"
 - FACTORY APPLIED HOT MELT ADHESIVE IS STANDARD

ITEM	PART DESCRIPTION	PART NO.	MATERIAL
1	Heat-shrinkable boot	NUHRT 4.5/6	Flame Retardant Polyolefin
2	FLANGE	NUF 7.5x3.8x.5	DELRIN
5	Adhesive		Hotmelt Polyamide

NU-TECH

UNLESS OTHERWISE SPECIFIED:
 DIMENSIONS ARE IN INCHES
 TOLERANCES:
 FRACTIONAL ±1/32
 ONE DECIMAL PLACE ± 0.060
 TWO DECIMAL PLACE ± 0.025
 THREE DECIMAL PLACE ± 0.010
 DO NOT SCALE DRAWING

PART NO. NUFCWS-3.8-1.5	
DWG. NO. NUFCWS-3.8-1.5-ASSY	
WEIGHT: 1.36	REV A

PROPRIETARY AND CONFIDENTIAL
 THE INFORMATION CONTAINED IN THIS DRAWING IS THE SOLE PROPERTY OF Cross Technology INC. ANY REPRODUCTION IN PART OR AS A WHOLE WITHOUT THE WRITTEN PERMISSION OF Cross Technology INC. IS PROHIBITED.