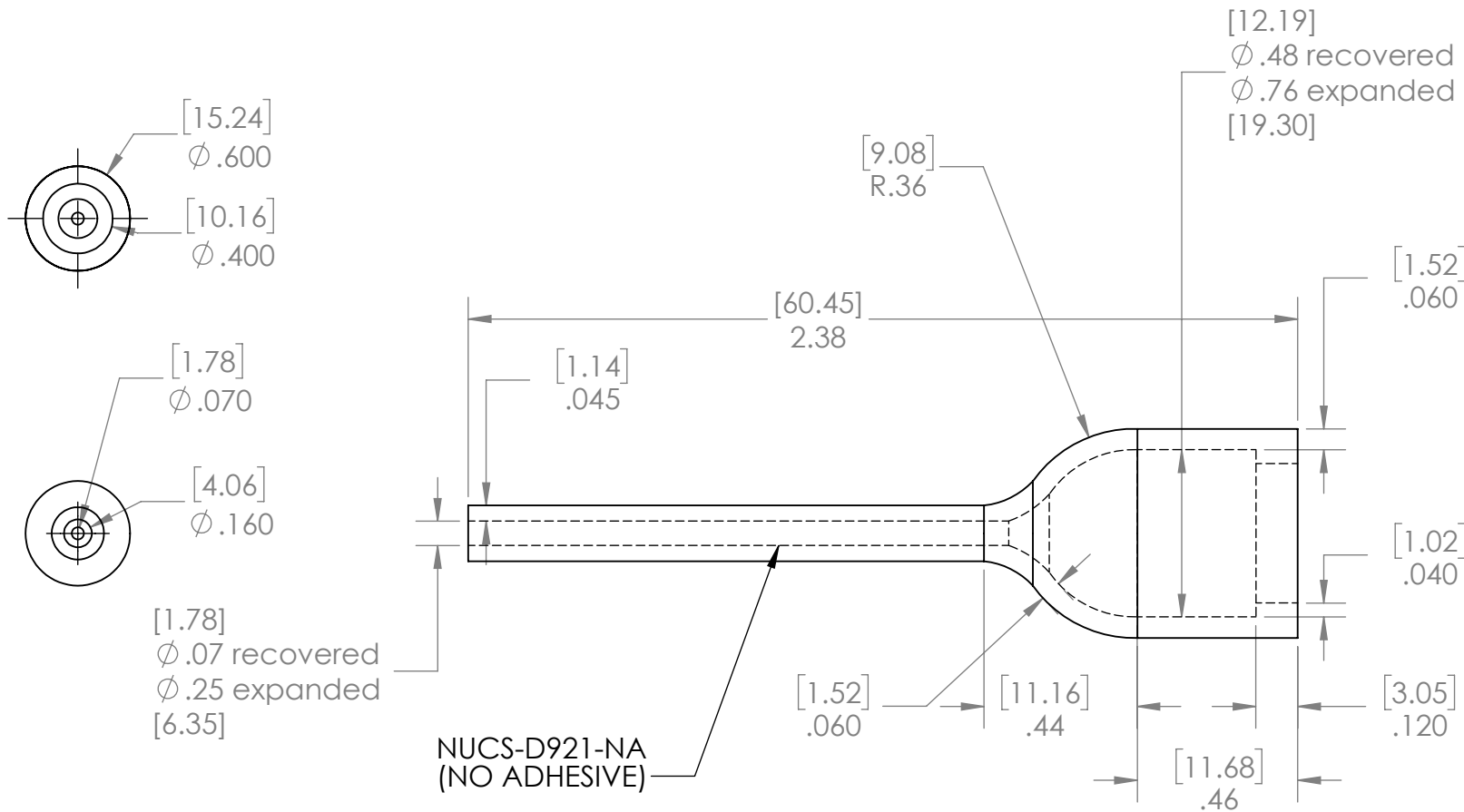


B



B

A

UNLESS OTHERWISE SPECIFIED:		NAME	DATE	NU-TECH	
DIMENSIONS ARE IN INCHES		DRAWN	RB	10-2019	
TOLERANCES:		CHECKED		TITLE:	
FRACTIONAL \pm		ENG APPR.		NUCS-D921	
ANGULAR: MACH \pm BEND \pm		MFG APPR.		SIZE	DWG. NO.
TWO PLACE DECIMAL $\pm .03$		Q.A.		A	REV
THREE PLACE DECIMAL $\pm .015$		COMMENTS:		SCALE: 1:1	SHEET 1 OF 1
INTERPRET GEOMETRIC TOLERANCING PER:		Adhesive A-010			
MATERIAL					
Polyolefin					
FINISH					
DO NOT SCALE DRAWING					

A

2

1