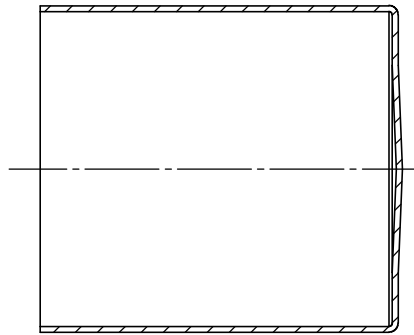
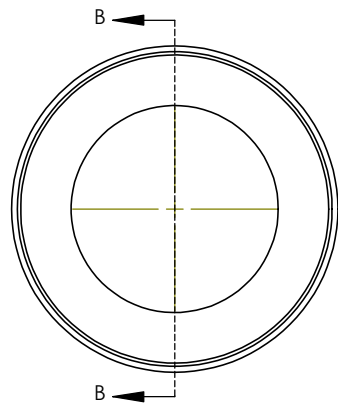


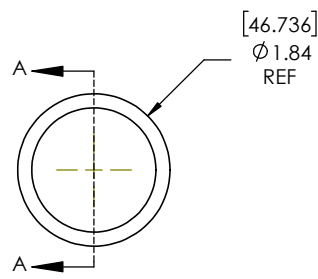
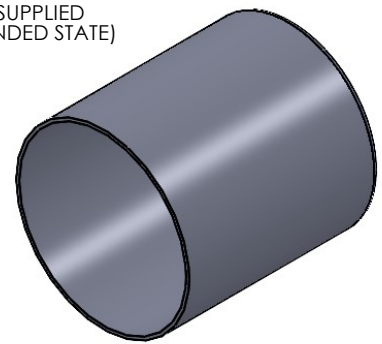
8 7 6 5 4 3 2 1

REVISIONS		
REV.	DESCRIPTION	DATE
A	UPDATE DRAWING TO 2025 STANDARDS	2/18/2026

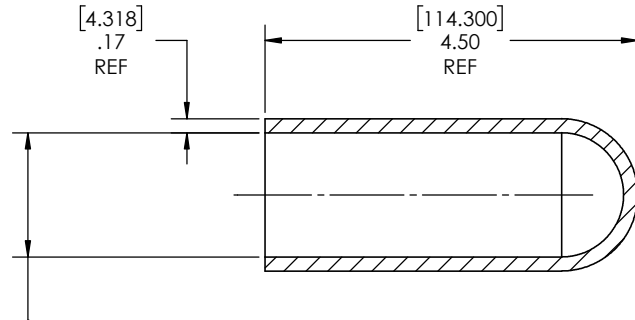


SECTION B-B  
EXPANDED  
SCALE 1 : 1.5

AS SUPPLIED  
(EXPANDED STATE)



[46.736]  
Ø 1.84  
REF

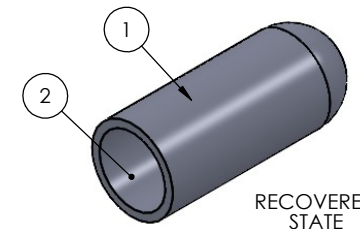


[4.318]  
.17  
REF

[114.300]  
4.50  
REF

Expanded Min ID= 3.8(96.5) REF  
[Recovered Max ID = 1.50(38.1)] REF

SECTION A-A  
RECOVERED  
SCALE 1:1.5



RECOVERED  
STATE

NOTES:

- ITEM# 1 - HEAT SHRINKABLE BOOT MATERIAL IS IN ACCORDANCE WITH POLYOLEFIN STANDARDS DEFINED IN SAE AS81765/1 REFERENCE DIMENSIONS MAY DEVIATE AS MUCH AS +OR- 1/4"
- ITEM# 2 - FACTORY APPLIED HOT MELT ADHESIVE IS STANDARD - INTERIOR SURFACES.

ITEM	PART DESCRIPTION	PART NO.	MATERIAL
1	HEAT SHRINKABLE BOOT	M-NU380X150	FLAME RETARDANT POLYOLEFIN
2	ADHESIVE		HOTMELT POLYAMIDE

**PROPRIETARY AND CONFIDENTIAL**  
THE INFORMATION CONTAINED IN THIS DRAWING IS THE SOLE PROPERTY OF Cross Technology INC. ANY REPRODUCTION IN PART OR AS A WHOLE WITHOUT THE WRITTEN PERMISSION OF Cross Technology INC. IS PROHIBITED.

DO NOT SCALE DRAWING

**NU-TECH**

UNLESS OTHERWISE SPECIFIED: DIMENSIONS ARE IN INCHES TOLERANCES: FRACTIONAL ±1/16 ONE DECIMAL PLACE ± 0.200 TWO DECIMAL PLACE ± 0.100 THREE DECIMAL PLACE ± 0.050	PART DESC. <b>NU380X150</b>
DWG. NO. NU380X150	REV <b>A</b>
WEIGHT: 0.1305	SCALE: 1:1.5
DRAWN: MLJ DATE: 2/19/2026	SHEET 1 OF 1

8 7 6 5 4 3 2 1