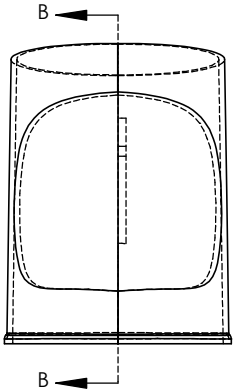
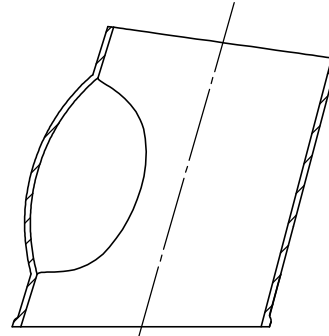


8 7 6 5 4 3 2 1

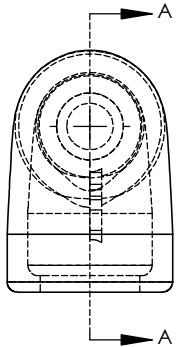
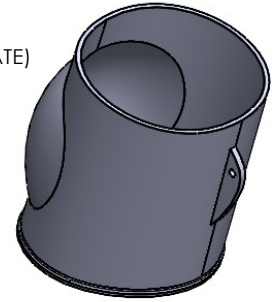
REVISIONS		
REV.	DESCRIPTION	DATE
A	UPDATE DRAWING TO 2025 STANDARDS	2/25/2026



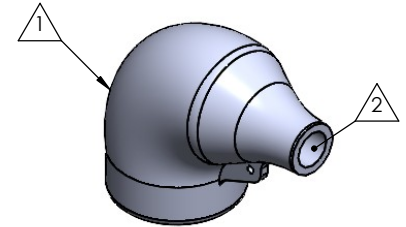
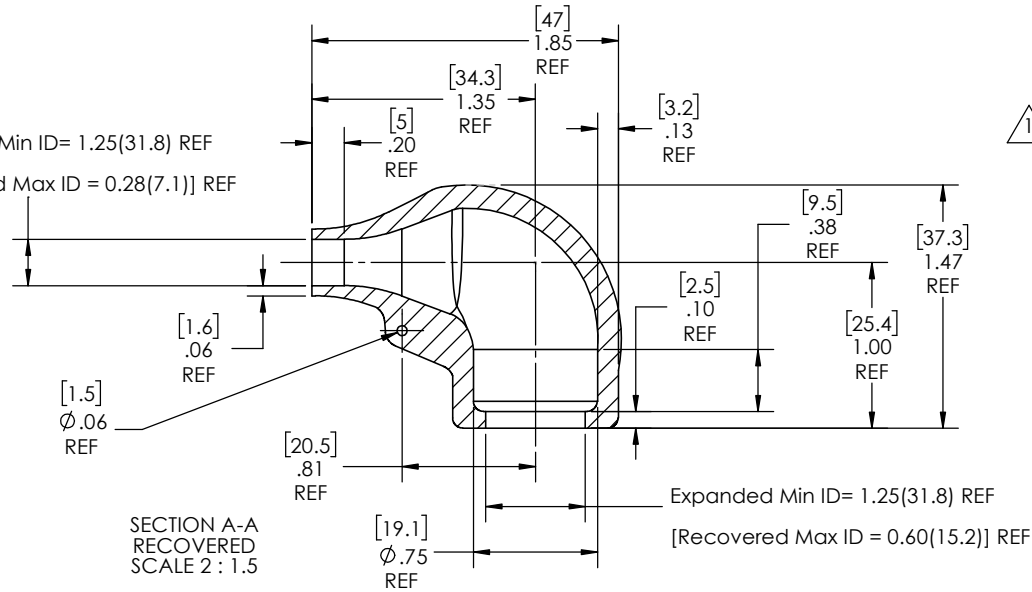
SECTION B-B  
EXPANDED  
SCALE 2 : 1.5



AS SUPPLIED  
(EXPANDED STATE)



Expanded Min ID= 1.25(31.8) REF  
[Recovered Max ID = 0.28(7.1)] REF



RECOVERED  
STATE

NOTES:

- ITEM#1 - HEAT SHRINKABLE BOOT MATERIAL IS IN ACCORDANCE WITH POLYOLEFIN STANDARDS DEFINED IN SAE AS81765/1 REFERENCE DIMENSIONS MAY DEVIATE AS MUCH AS +OR- 1/4"
- ITEM#2 - FACTORY APPLIED HOT MELT ADHESIVE IS STANDARD - INTERIOR SURFACES.
- ITEM #3 - BOOTS INTENDED FOR NU-TECH ASSEMBLIES WILL HAVE HOTMELT APPLIED INSIDE LEGS ONLY AFTER ASSEMBLY HAS BEEN COMPLETED.

ITEM	PART DESCRIPTION	PART NO.	MATERIAL
①	HEAT SHRINKABLE BOOT	M-NU1RL	FLAME RETARDANT POLYOLEFIN
②	ADHESIVE		HOTMELT POLYAMIDE

**NU-TECH**

UNLESS OTHERWISE SPECIFIED:  
DIMENSIONS ARE IN INCHES  
TOLERANCES:  
FRACTIONAL ±1/16  
ONE DECIMAL PLACE ± 0.200  
TWO DECIMAL PLACE ± 0.100  
THREE DECIMAL PLACE ± 0.050

PART DESC.	
NU1RL	
DWG. NO.	
NU1RL	
WEIGHT:	REV
0.0213	A
SCALE:	SHEET 1 OF 1
2:1.5	

**PROPRIETARY AND CONFIDENTIAL**  
THE INFORMATION CONTAINED IN THIS DRAWING IS THE SOLE PROPERTY OF Cross Technology INC. ANY REPRODUCTION IN PART OR AS A WHOLE WITHOUT THE WRITTEN PERMISSION OF Cross Technology INC. IS PROHIBITED.

With Lip/NU1RL/ NU1RL DO NOT SCALE DRAWING

DRAWN: MLJ DATE: 3/25/2026

8 7 6 5 4 3 2 1