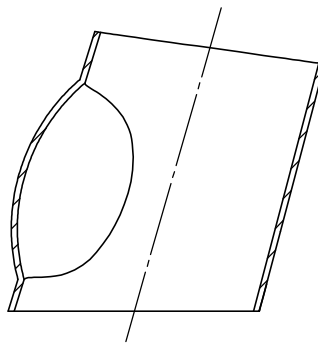
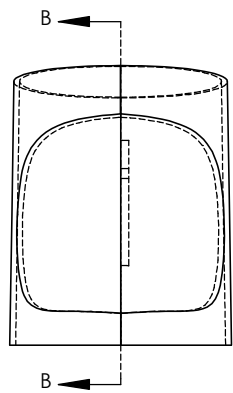
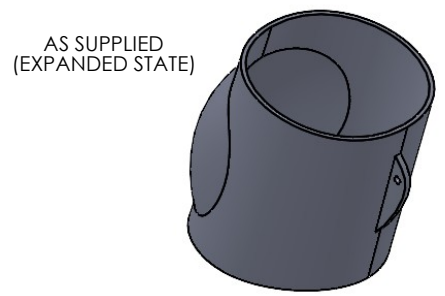


8 7 6 5 4 3 2 1

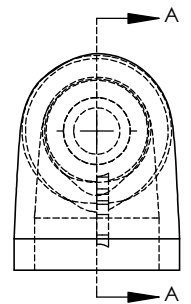
| REVISIONS | | |
|-----------|----------------------------------|-----------|
| REV. | DESCRIPTION | DATE |
| A | UPDATE DRAWING TO 2025 STANDARDS | 2/25/2026 |



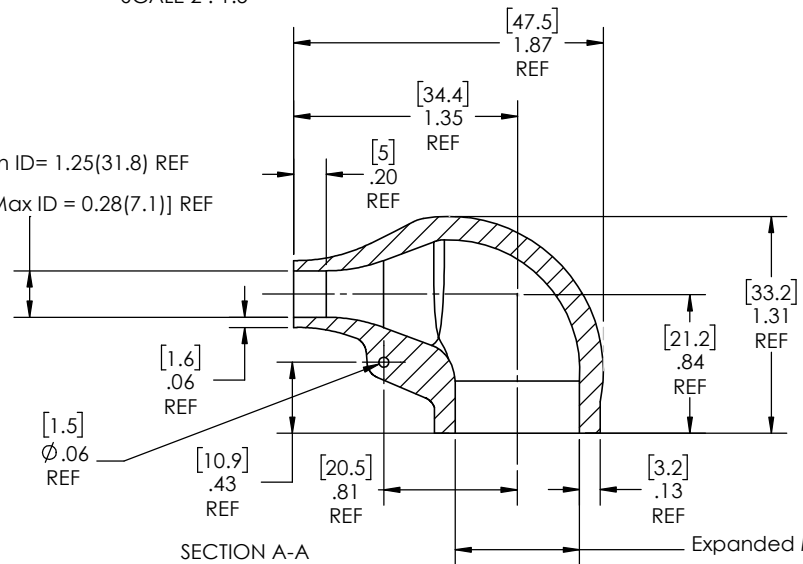
SECTION B-B
EXPANDED
SCALE 2 : 1.5



AS SUPPLIED
(EXPANDED STATE)

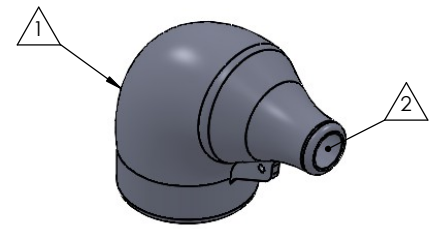


Expanded Min ID= 1.25(31.8) REF
[Recovered Max ID = 0.28(7.1)] REF



SECTION A-A
RECOVERED
SCALE 2 : 1.5

Expanded Min ID= 1.25(31.8) REF
[Recovered Max ID = 0.75(19.1)] REF



RECOVERED
STATE

NOTES:

- ITEM#1 - HEAT SHRINKABLE BOOT MATERIAL IS IN ACCORDANCE WITH POLYOLEFIN STANDARDS DEFINED IN SAE AS81765/1 REFERENCE DIMENSIONS MAY DEVIATE AS MUCH AS +OR- 1/4"
- ITEM#2 - FACTORY APPLIED HOT MELT ADHESIVE IS STANDARD - INTERIOR SURFACES.
- ITEM #3 - BOOTS INTENDED FOR NU-TECH ASSEMBLIES WILL HAVE HOTMELT APPLIED INSIDE LEGS ONLY AFTER ASSEMBLY HAS BEEN COMPLETED.

| ITEM | PART DESCRIPTION | PART NO. | MATERIAL |
|------|----------------------|----------|----------------------------|
| ① | HEAT SHRINKABLE BOOT | M-NU1RL | FLAME RETARDANT POLYOLEFIN |
| ② | ADHESIVE | | HOTMELT POLYAMIDE |

NU-TECH

UNLESS OTHERWISE SPECIFIED:
DIMENSIONS ARE IN INCHES
TOLERANCES:
FRACTIONAL ±1/16
ONE DECIMAL PLACE ± 0.200
TWO DECIMAL PLACE ± 0.100
THREE DECIMAL PLACE ± 0.050

| | |
|------------|--------|
| PART DESC. | NU1R |
| DWG. NO. | NU1R |
| WEIGHT: | 0.0214 |
| REV | A |

PROPRIETARY AND CONFIDENTIAL
THE INFORMATION CONTAINED IN THIS DRAWING IS THE SOLE PROPERTY OF Cross Technology INC. ANY REPRODUCTION IN PART OR AS A WHOLE WITHOUT THE WRITTEN PERMISSION OF Cross Technology INC. IS PROHIBITED.

Without Lip\NU1R\ NU1R DO NOT SCALE DRAWING

DRAWN: MLJ DATE: 3/2/2026 SCALE: 2:1.5 SHEET 1 OF 1

8 7 6 5 4 3 2 1