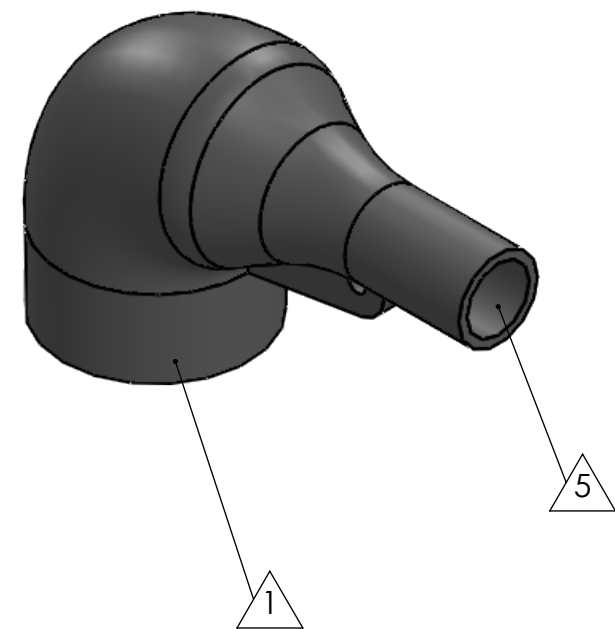


SECTION A-A



ITEM	PART DESCRIPTION	PART NO.	MATERIAL
1	Heat-shrinkable boot		HS 3123
5	Adhesive	A-010	Hotmelt ADH

<p>CrossTech</p> <p>UNLESS OTHERWISE SPECIFIED: DIMENSIONS ARE IN INCHES TOLERANCES: FRACTIONAL ± 1/32 THREE PLACE DECIMAL ± 0.030</p>		PART NO. NUOR	
		DWG. NO. PRP:"SW-Title"	
DO NOT SCALE DRAWING		WEIGHT: SW-Mass@par19.SLDPRT	REV
DRAWN: HH	DATE: 7/9/2021	SCALE: 2:1	SHEET 1 OF 1