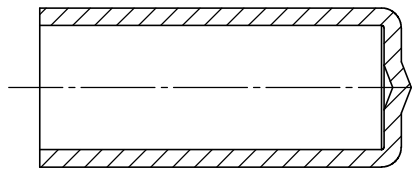
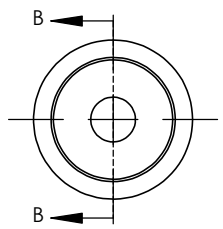
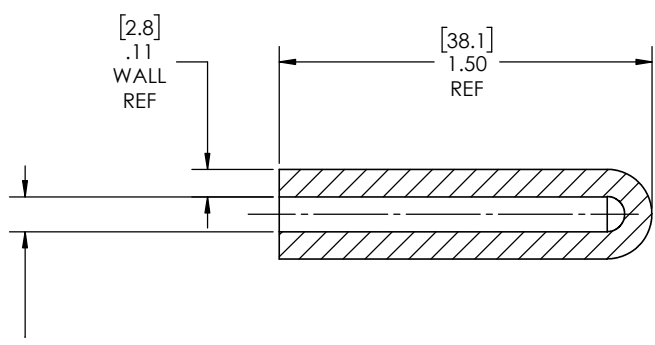
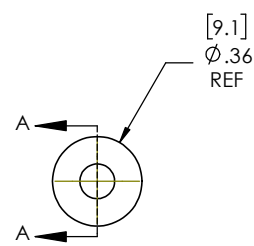
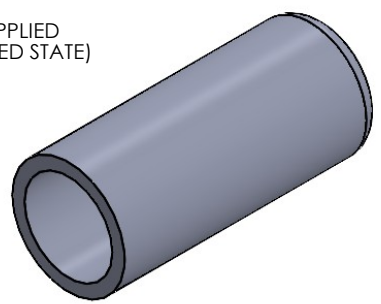


| REVISIONS | | |
|-----------|----------------------------------|-----------|
| REV. | DESCRIPTION | DATE |
| A | UPDATE DRAWING TO 2025 STANDARDS | 2/18/2026 |



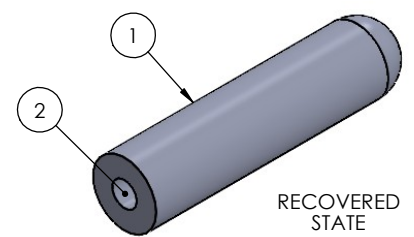
SECTION B-B
EXPANDED
SCALE 2:1

AS SUPPLIED
(EXPANDED STATE)



SECTION A-A
RECOVERED
SCALE 2:1

Expanded Min ID= 0.50(12.7) REF
[Recovered Max ID = 0.14(3.6)] REF



RECOVERED
STATE

NOTES:

- ITEM# 1 - HEAT SHRINKABLE BOOT MATERIAL IS IN ACCORDANCE WITH POLYOLEFIN STANDARDS DEFINED IN SAE AS81765/1 REFERENCE DIMENSIONS MAY DEVIATE AS MUCH AS +OR- 1/4"
- ITEM# 2 - FACTORY APPLIED HOT MELT ADHESIVE IS STANDARD - INTERIOR SURFACES.

| ITEM | PART DESCRIPTION | PART NO. | MATERIAL |
|------|----------------------|-----------------|----------------------------|
| ① | HEAT SHRINKABLE BOOT | USE 12/5mm SIZE | FLAME RETARDANT POLYOLEFIN |
| ② | ADHESIVE | | HOTMELT POLYAMIDE |

PROPRIETARY AND CONFIDENTIAL
THE INFORMATION CONTAINED IN THIS DRAWING IS THE SOLE PROPERTY OF Cross Technology INC. ANY REPRODUCTION IN PART OR AS A WHOLE WITHOUT THE WRITTEN PERMISSION OF Cross Technology INC. IS PROHIBITED.

NU-TECH

| | | |
|---|--------------------------------|--------------|
| UNLESS OTHERWISE SPECIFIED: DIMENSIONS ARE IN INCHES TOLERANCES: FRACTIONAL ±1/16 ONE DECIMAL PLACE ± 0.200 TWO DECIMAL PLACE ± 0.100 THREE DECIMAL PLACE ± 0.050 | PART DESC. NU050X016 | |
| | DWG. NO. NU050X016 | |
| | WEIGHT: 0.004 | REV A |
| | SCALE: 2:1 | SHEET 1 OF 1 |

DO NOT SCALE DRAWING

DRAWN: MLJ DATE: 2/19/2026