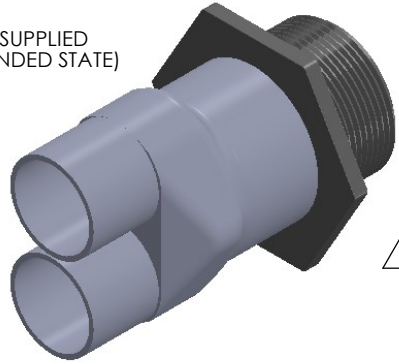


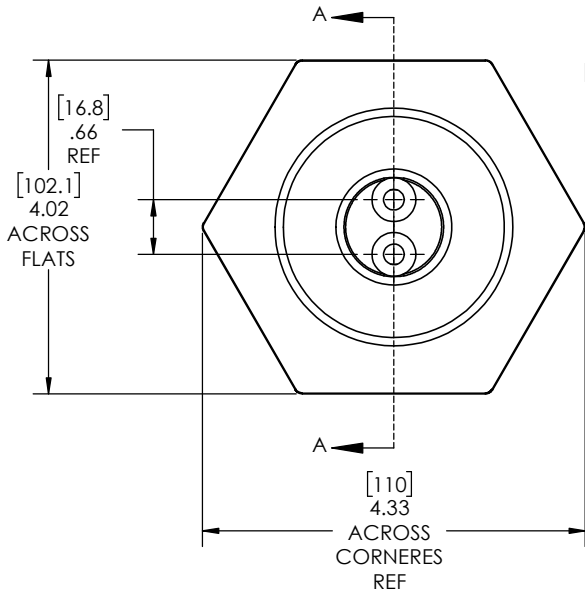
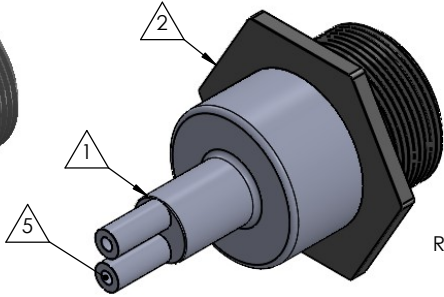
8 7 6 5 4 3 2 1

REVISIONS		
REV.	DESCRIPTION	DATE
A	UPDATE DRAWING TO 2025 STANDARDS	1/23/2026

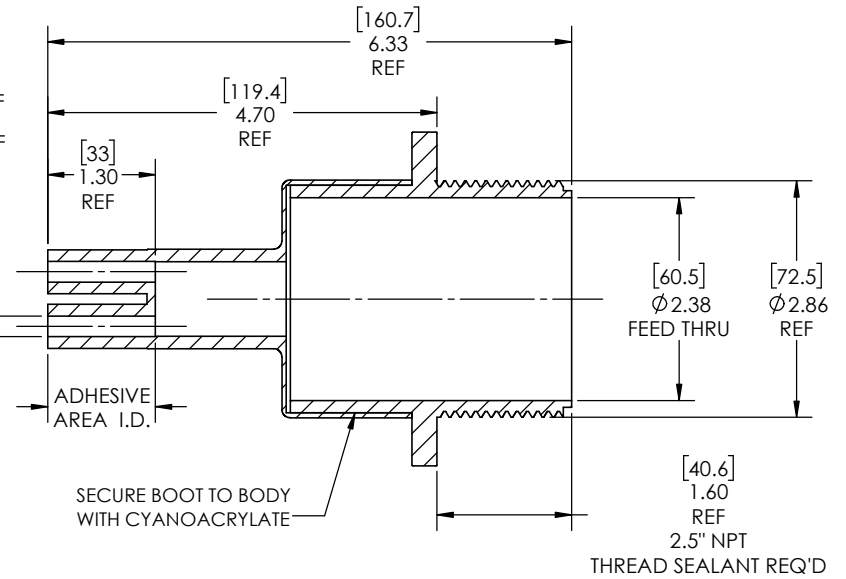
AS SUPPLIED  
(EXPANDED STATE)



RECOVERED  
STATE



Expanded Min ID=1.60(40.6) REF  
[Recovered Max ID=0.30(7.6)] REF



SECTION A-A  
RECOVERED  
SCALE 1 : 1.5

NOTES:

- ITEM #1 HEAT SHRINKABLE BOOT MATERIAL IS IN ACCORDANCE WITH POLYOLEFIN STANDARDS DEFINED IN SAE AS81765/1 REFERENCE DIMENSIONS MAY DEVIATE AS MUCH AS +OR- 1/4"
- FACTORY APPLIED HOT MELT ADHESIVE IS STANDARD

ITEM	PART DESCRIPTION	PART NO.	MATERIAL
1	Heat-shrinkable boot	NUBB2-6	Flame Retardant Polyolefin
2	Body	P-5B	Glass Fiber Reinforced, PBT
5	Adhesive		Hotmelt Polyamide

**NU-TECH**

UNLESS OTHERWISE SPECIFIED:  
DIMENSIONS ARE IN INCHES  
TOLERANCES:  
FRACTIONAL ±1/32  
ONE DECIMAL PLACE ± 0.060  
TWO DECIMAL PLACE ± 0.025  
THREE DECIMAL PLACE ± 0.010  
DO NOT SCALE DRAWING

PART NO. <b>5-NUP-2F</b>	
DWG. NO. 5-NUP-2F-ASSY	
WEIGHT: 0.445	REV A
DRAWN: MLJ	DATE: 2/2/2026
SCALE: 1:1.5	SHEET 1 OF 1

8 7 6 5 4 3 2 1