

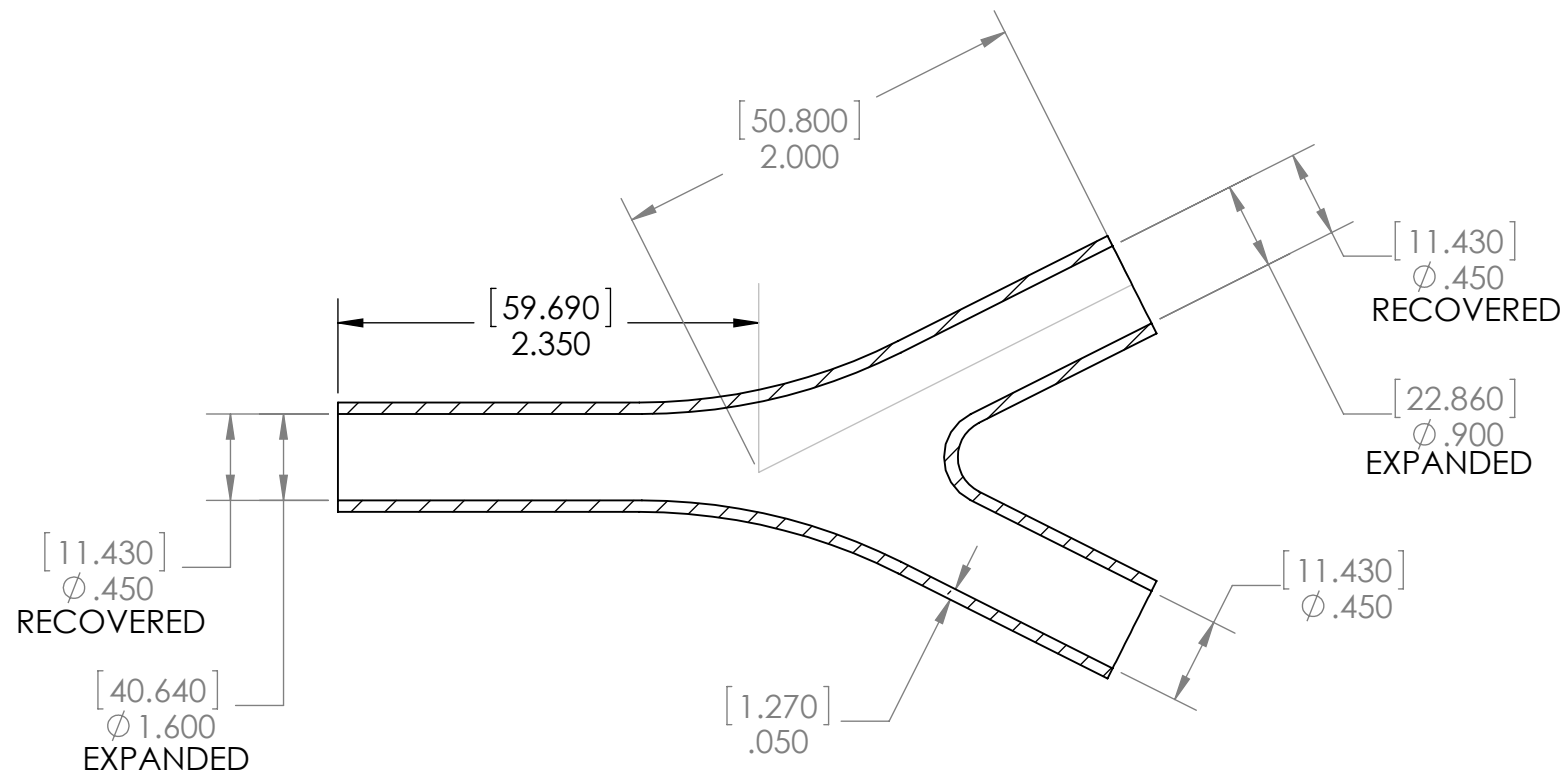
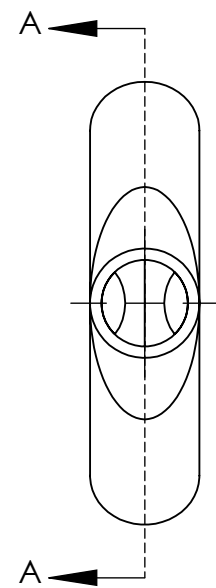
8 7 6 5 4 3 2 1

D

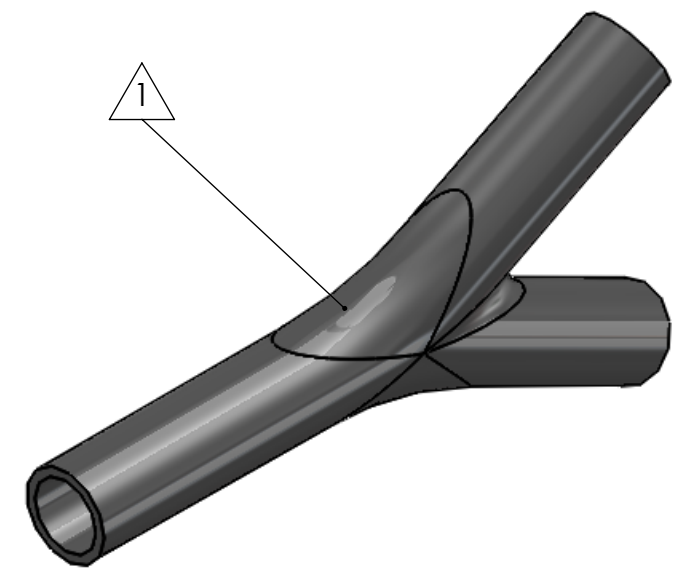
C

B

A



SECTION A-A
SCALE 1 : 1



ITEM	PART DESCRIPTION	PART NO.	MATERIAL	Nu-Tech	
	Heat-shrinkable boot		HS 3123		
				UNLESS OTHERWISE SPECIFIED:	PART NO.
				DIMENSIONS ARE IN INCHES TOLERANCES: FRACTIONAL $\pm 1/32$ THREE PLACE DECIMAL ± 0.030	432Y14
				DO NOT SCALE DRAWING	DWG. NO. PRP:"SW-Title"
				DRAWN: HH	DATE: 3/3/2015
				SCALE: 1:2	WEIGHT: SW-Mass@par19.SLDPRT
					REV
					SHEET 1 OF 1

8 7 6 5 4 3 2 1