

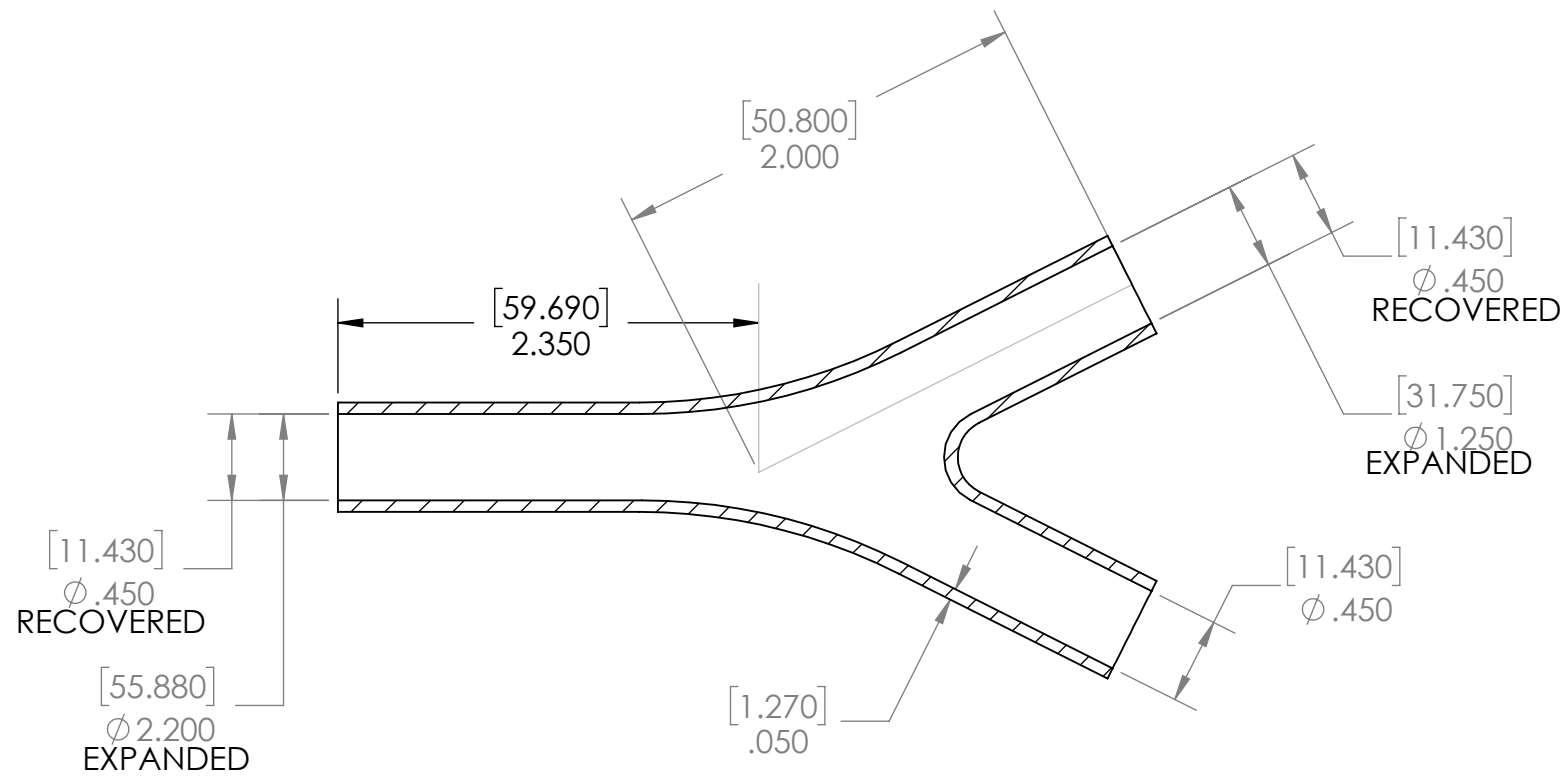
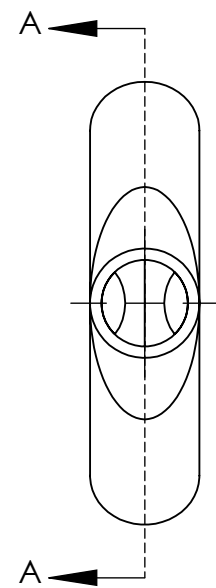
8 7 6 5 4 3 2 1

D

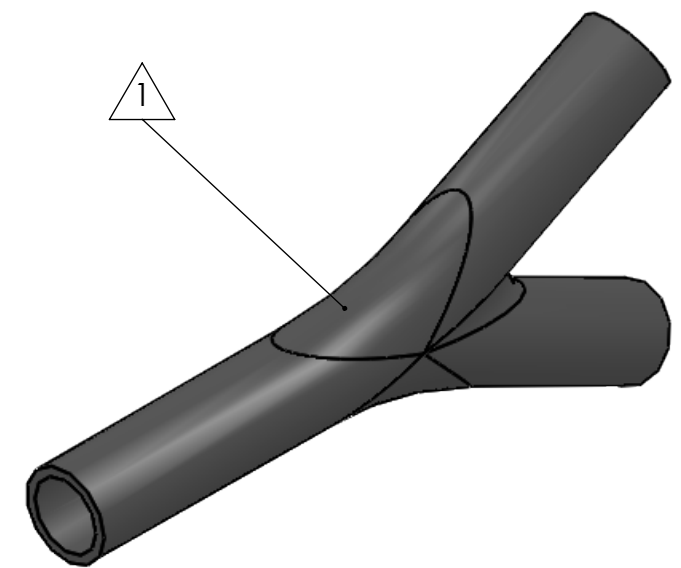
C

B

A



SECTION A-A
SCALE 1 : 1



ITEM	PART DESCRIPTION	PART NO.	MATERIAL	Nu-Tech	
	Heat-shrinkable boot		HS 3123		
				UNLESS OTHERWISE SPECIFIED:	
				DIMENSIONS ARE IN INCHES	
				TOLERANCES:	
				FRACTIONAL ±1/32	
				THREE PLACE DECIMAL ± 0.030	
				DO NOT SCALE DRAWING	
				DRAWN: HH	DATE: 5/26/2021
				SCALE: 1:2	REV
				SHEET 1 OF 1	

8 7 6 5 4 3 2 1