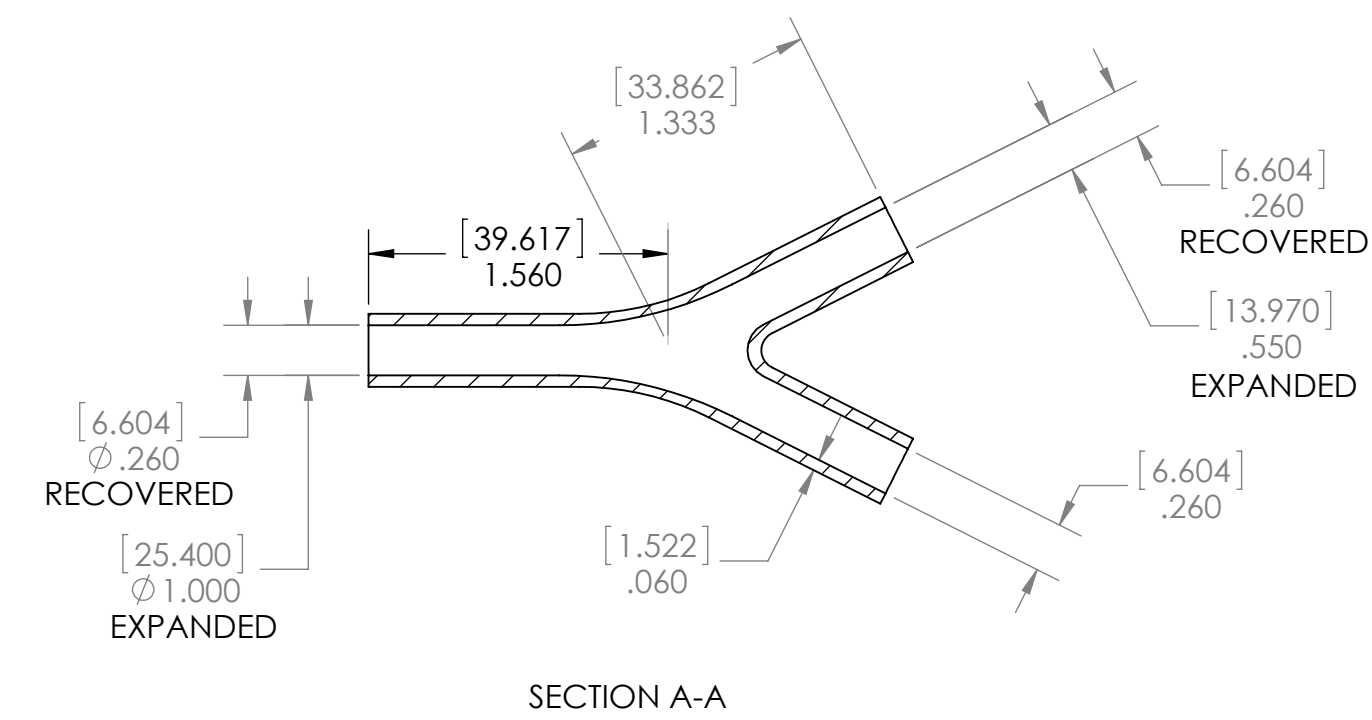
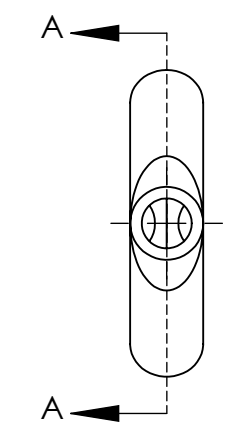
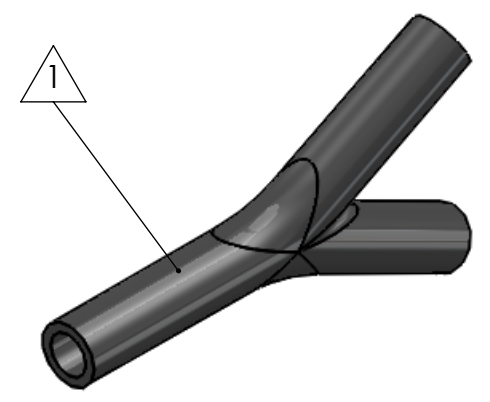


8 7 6 5 4 3 2 1

D
C
B
A

D
C
B
A



ITEM	PART DESCRIPTION	PART NO.	MATERIAL
①	Heat-shrinkable boot	432Y13	HS 3123
⑤	Adhesive	A-010	Hotmelt ADH

Nu-Tech

UNLESS OTHERWISE SPECIFIED:
 DIMENSIONS ARE IN INCHES
 TOLERANCES:
 FRACTIONAL ± 1/32
 THREE PLACE DECIMAL ± 0.030

DO NOT SCALE DRAWING

PART NO. 432Y13	
DWG. NO. PRP:"SW-Title"	
WEIGHT: SW-Mass@par19.SLDPRT	REV
DRAWN: HH	DATE: 3/3/2015
SCALE: 1:1	SHEET 1 OF 1

8 7 6 5 4 3 2 1