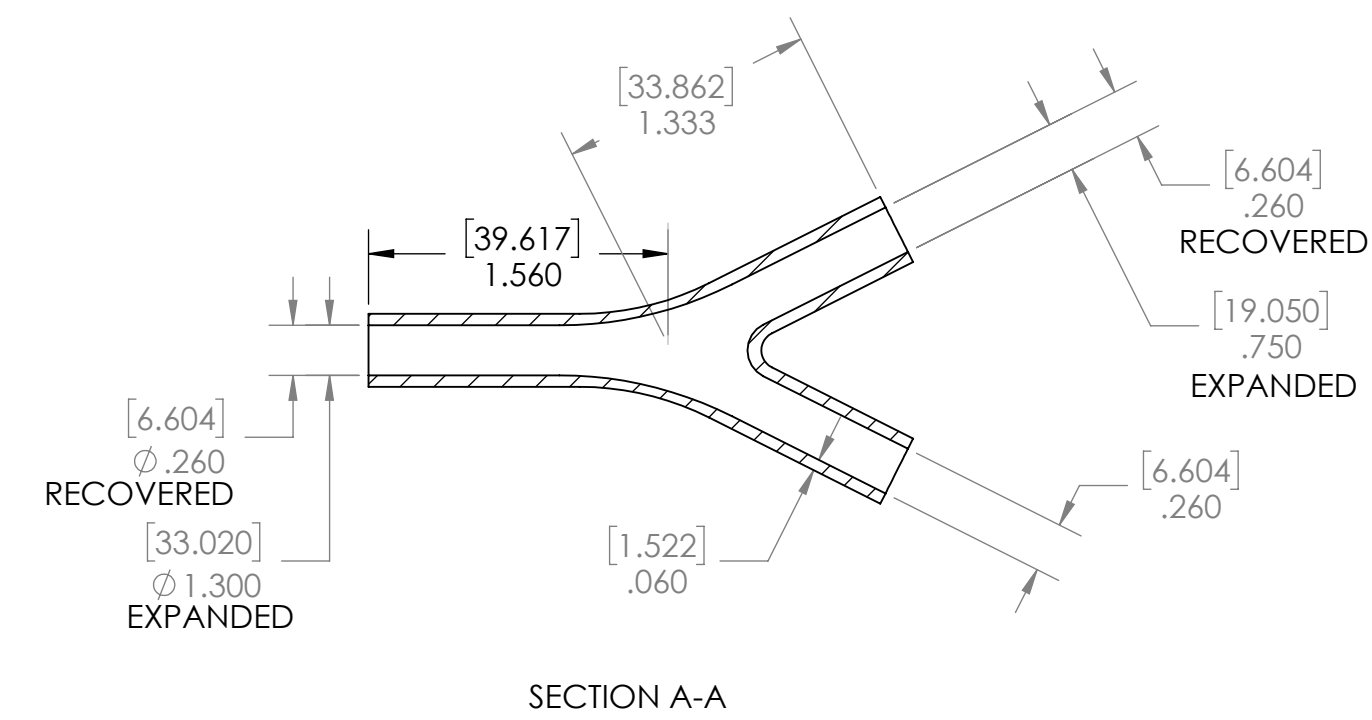
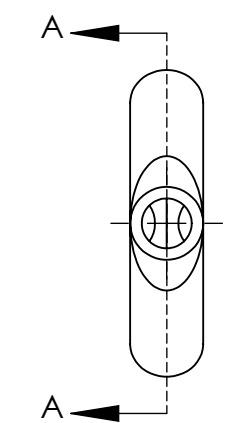
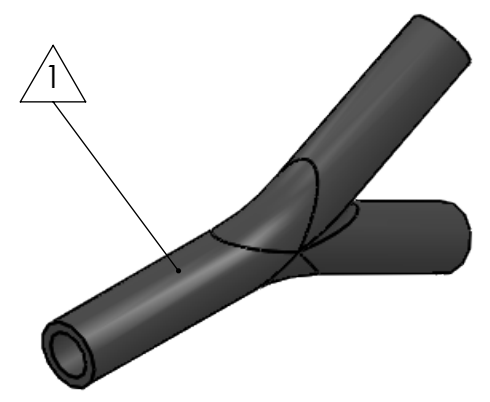


8 7 6 5 4 3 2 1

D
C
B
A

D
C
B
A



ITEM	PART DESCRIPTION	PART NO.	MATERIAL	Nu-Tech			
	Heat-shrinkable boot	432Y13	HS 3123	UNLESS OTHERWISE SPECIFIED: DIMENSIONS ARE IN INCHES TOLERANCES: FRACTIONAL ±1/32 THREE PLACE DECIMAL ± 0.030 DO NOT SCALE DRAWING	PART NO. 432Y13-OE		
					DWG. NO. PRP:"SW-Title"		
	Adhesive	A-010	Hotmelt ADH		WEIGHT: SW-Mass@par19.SLDPRT	REV	
				DRAWN: HH	DATE: 5/26/2021	SCALE: 1:1	SHEET 1 OF 1

8 7 6 5 4 3 2 1