

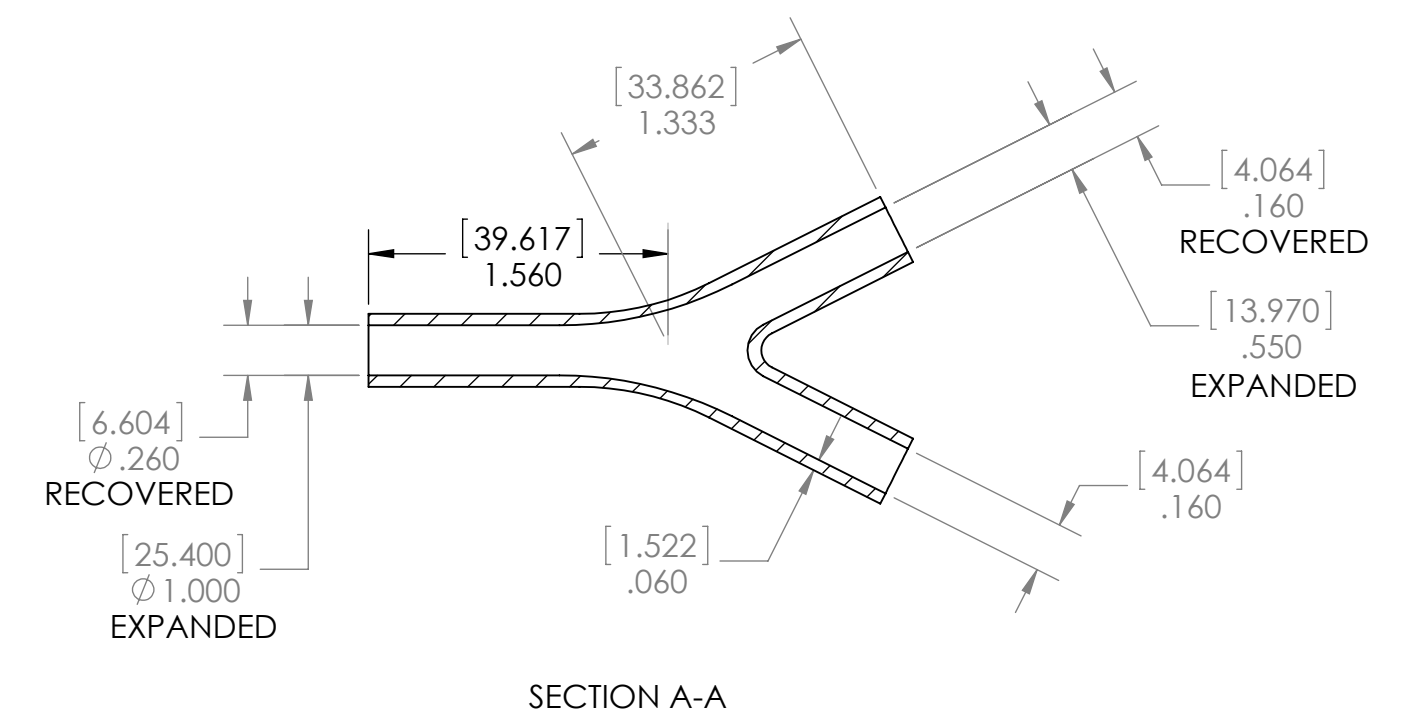
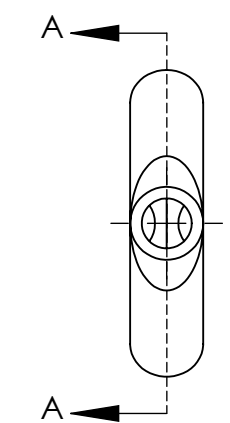
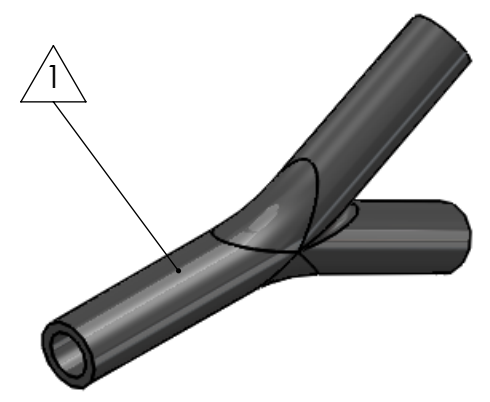
8 7 6 5 4 3 2 1

D

C

B

A



ITEM	PART DESCRIPTION	PART NO.	MATERIAL
①	Heat-shrinkable boot	432Y13	HS 3123
⑤	Adhesive	A-010	Hotmelt ADH

**Nu-Tech**

UNLESS OTHERWISE SPECIFIED:  
 DIMENSIONS ARE IN INCHES  
 TOLERANCES:  
 FRACTIONAL ±1/32  
 THREE PLACE DECIMAL ± 0.030

DO NOT SCALE DRAWING

PART NO.		432Y12	
DWG. NO.		PRP:"SW-Title"	
WEIGHT:	SW-Mass@par19.SLDPRT	REV	
DRAWN: HH	DATE: 3/3/2015	SCALE: 1:1	SHEET 1 OF 1

8 7 6 5 4 3 2 1