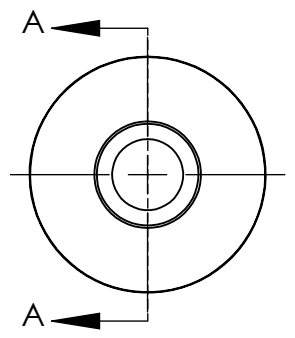
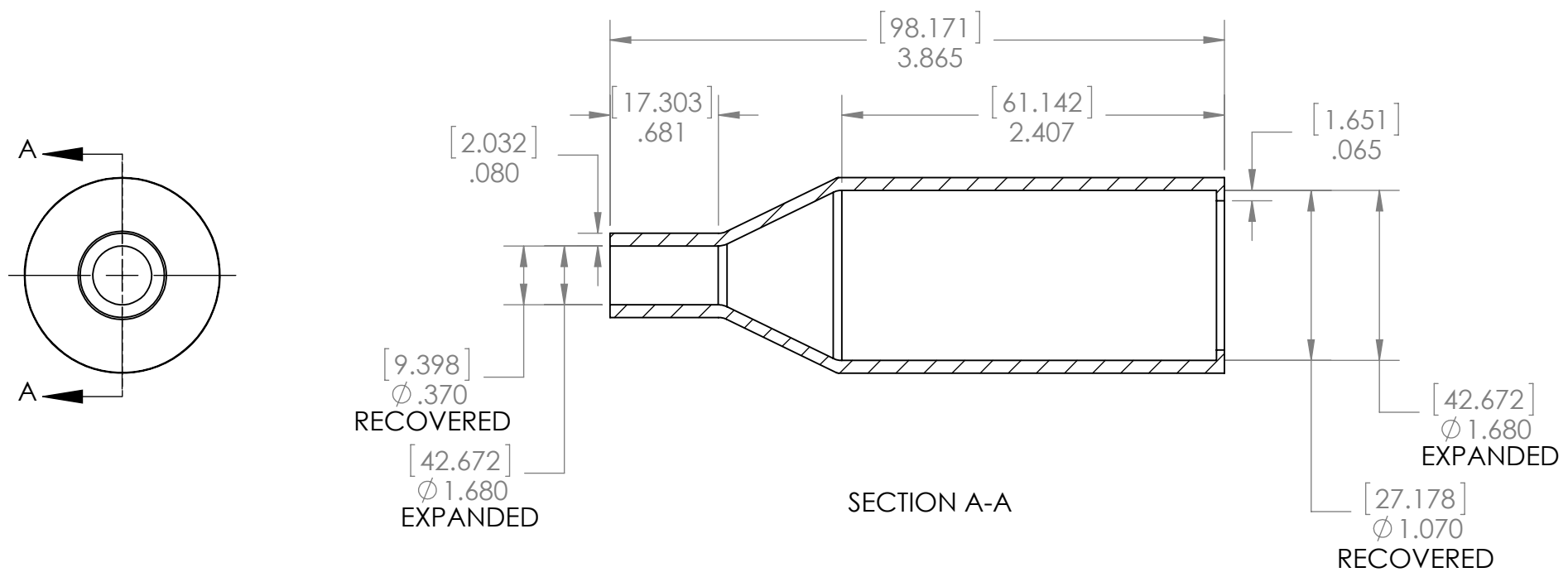
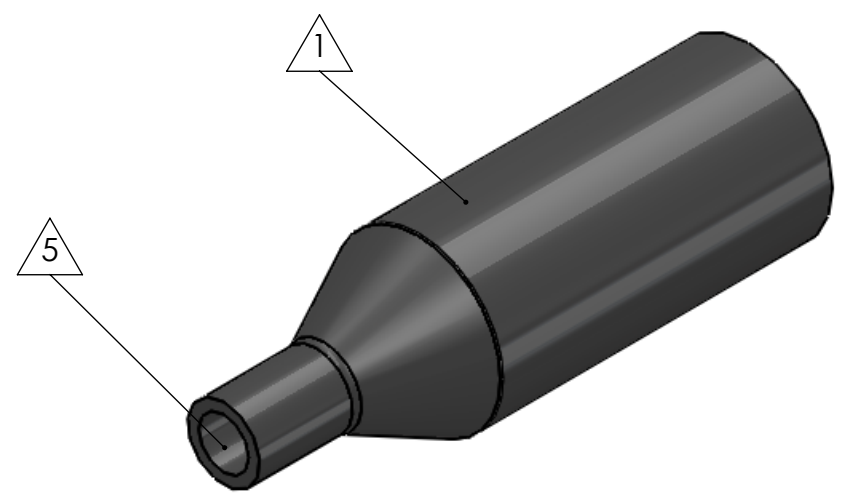


8 7 6 5 4 3 2 1

D
C
B
A

D
C
B
A



ITEM	PART DESCRIPTION	PART NO.	MATERIAL	Nu-Tech	
①	Heat-shrinkable boot	432L15	HS 3123		
				UNLESS OTHERWISE SPECIFIED: DIMENSIONS ARE IN INCHES TOLERANCES: FRACTIONAL $\pm 1/32$ THREE PLACE DECIMAL ± 0.030	
				DWG. NO. PRP:"SW-Title"	
⑤	Adhesive	A-010	Hotmelt ADH	DO NOT SCALE DRAWING	
				WEIGHT: SW-Mass@par19.SLDPRT	REV
				DRAWN: HH	DATE: 3/3/2015
				SCALE: 1:1	SHEET 1 OF 1

8 7 6 5 4 3 2 1