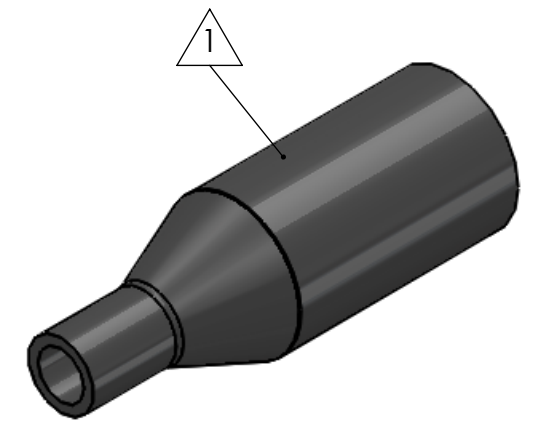
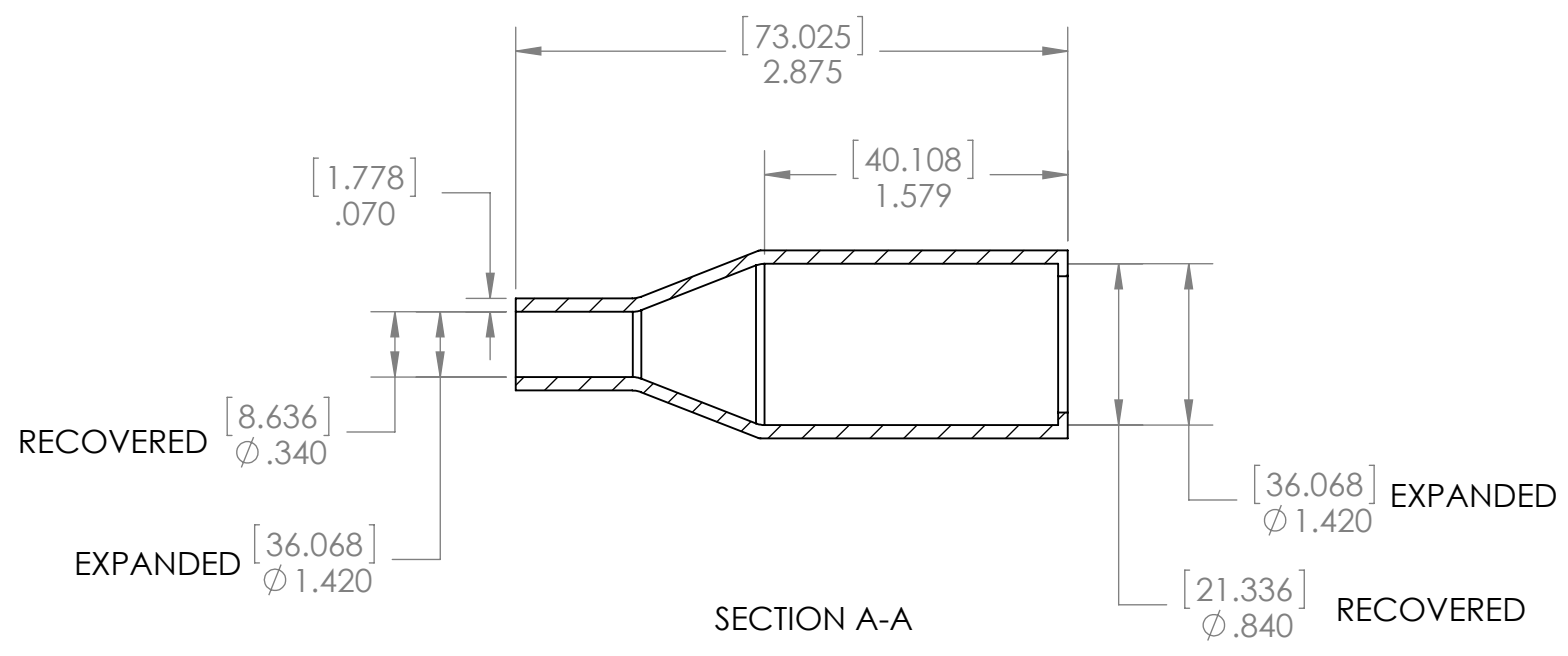
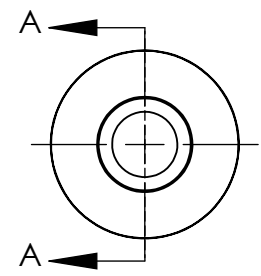


8 7 6 5 4 3 2 1

D  
C  
B  
A

D  
C  
B  
A



ITEM	PART DESCRIPTION	PART NO.	MATERIAL	<b>Nu-Tech</b>	
	Heat-shrinkable boot	432L14	HS 3123		
				UNLESS OTHERWISE SPECIFIED: DIMENSIONS ARE IN INCHES TOLERANCES: FRACTIONAL ±1/32 THREE PLACE DECIMAL ± 0.030 DO NOT SCALE DRAWING	
	Adhesive	A-010	Hotmelt ADH	DRAWN: HH	DATE: 3/3/2015

8 7 6 5 4 3 2 1