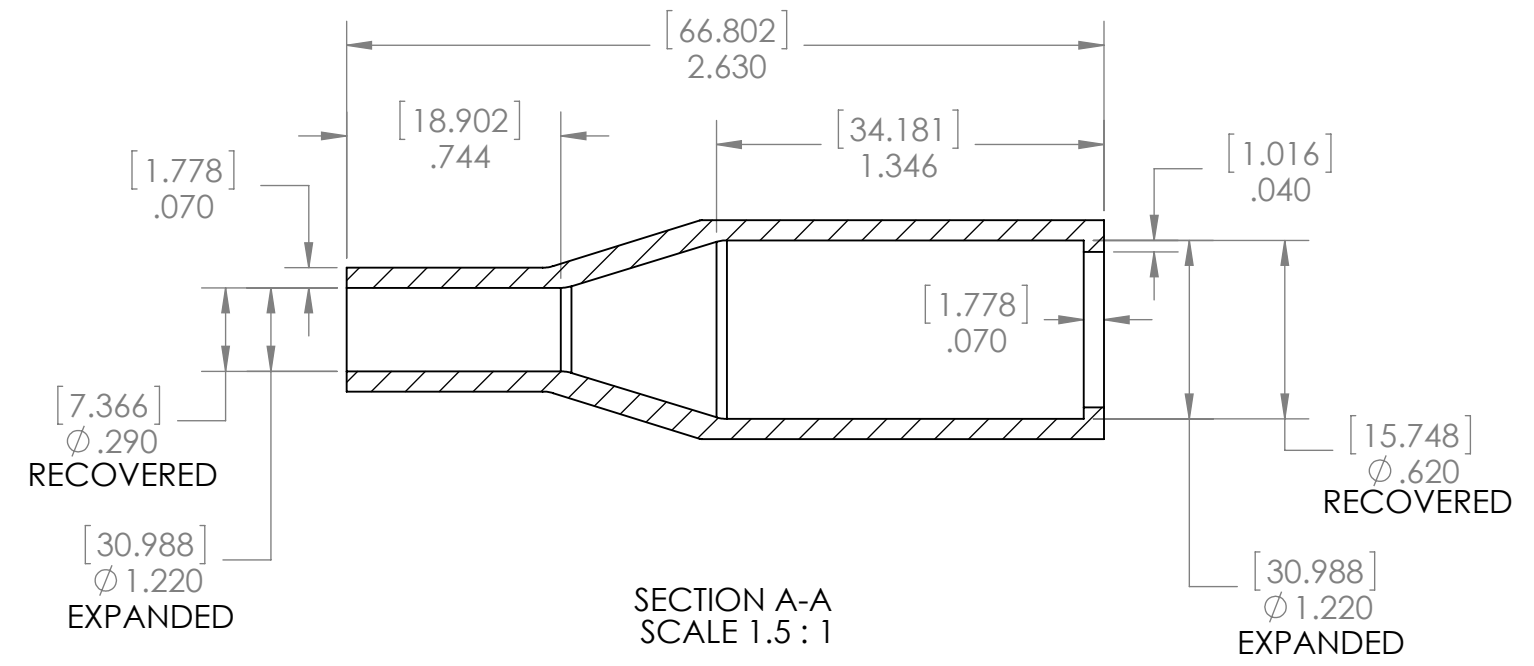
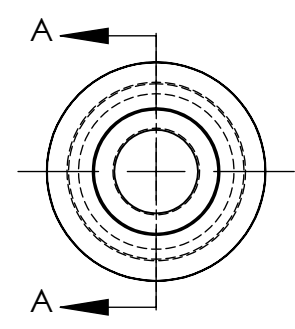
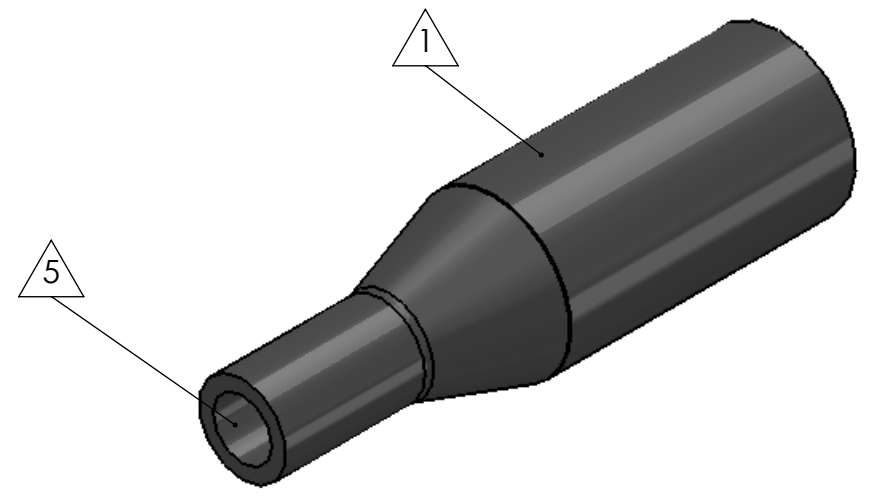


8 7 6 5 4 3 2 1

D  
C  
B  
A

D  
C  
B  
A



ITEM	PART DESCRIPTION	PART NO.	MATERIAL	<b>Nu-Tech</b>	
	Heat-shrinkable boot		HS 3123		
				PART NO. <b>432L13</b> DWG. NO. PRP:"SW-Title" WEIGHT: SW-Mass@par19.SLDPRT    REV	
	Adhesive	A-010	Hotmelt ADH	DO NOT SCALE DRAWING DRAWN: HH    DATE: 3/10/2015    SCALE: 1:1    SHEET 1 OF 1	

8 7 6 5 4 3 2 1