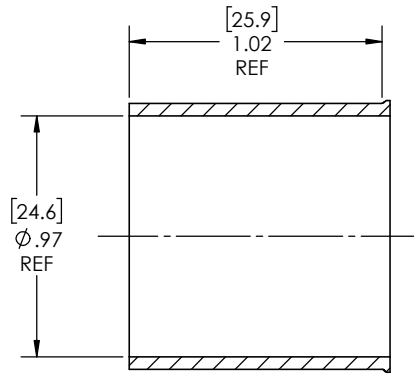
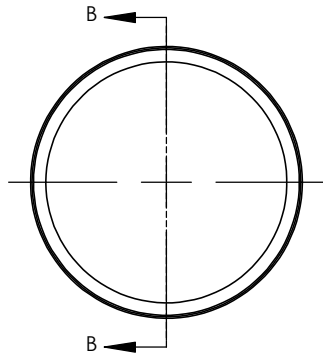


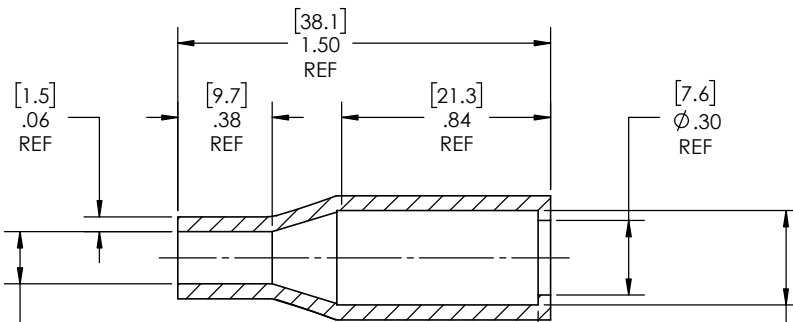
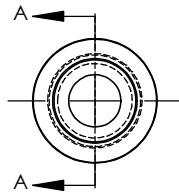
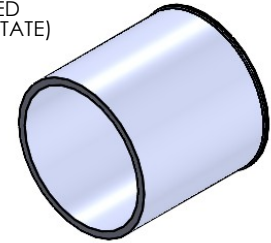
8 7 6 5 4 3 2 1



SECTION B-B  
EXPANDED  
SCALE 2:1

REVISIONS		
REV.	DESCRIPTION	DATE
A	UPDATE DRAWING TO 2025 STANDARDS	10/20/2025
B	UPDATE TOLERANCE TABLE	1/13/2026
C	ADJUST EXPANDED REFERENCE LENGTH TO REFLECT ACTUAL EXPANDED STATE PART SAMPLES	3/5/2026

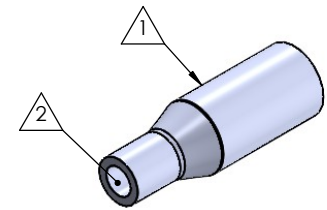
AS SUPPLIED  
(EXPANDED STATE)



Expanded Min ID= 0.97(24.6) REF  
[Recovered Max ID= 0.21(5.3)] REF

SECTION A-A  
RECOVERED  
SCALE 2:1

Expanded Min ID= 0.97(24.6) REF  
[Recovered Max ID= 0.38(9.7)] REF



RECOVERED  
STATE

NOTES:

- ITEM#1 - HEAT SHRINKABLE BOOT MATERIAL IS IN ACCORDANCE WITH POLYOLEFIN STANDARDS DEFINED IN SAE AS81765/1 REFERENCE DIMENSIONS MAY DEVIATE AS MUCH AS +OR- 1/4"
- ITEM#2 - FACTORY APPLIED HOT MELT ADHESIVE IS STANDARD - INTERIOR SURFACES.

ITEM	PART DESCRIPTION	PART NO.	MATERIAL
①	HEAT SHRINKABLE BOOT	M-432L11	FLAME RETARDANT POLYOLEFIN
②	ADHESIVE		HOTMELT POLYAMIDE

**PROPRIETARY AND CONFIDENTIAL**

THE INFORMATION CONTAINED IN THIS DRAWING IS THE SOLE PROPERTY OF Cross Technology INC. ANY REPRODUCTION IN PART OR AS A WHOLE WITHOUT THE WRITTEN PERMISSION OF Cross Technology INC. IS PROHIBITED.

**NU-TECH**

UNLESS OTHERWISE SPECIFIED: DIMENSIONS ARE IN INCHES TOLERANCES: FRACTIONAL ±1/16 ONE DECIMAL PLACE ± 0.200 TWO DECIMAL PLACE ± 0.100 THREE DECIMAL PLACE ± 0.050	PART DESC. <b>432L11</b>
DWG. NO. 432L11	REV C
WEIGHT: 0.006	SCALE: 2:1.5
DRAWN: MLJ DATE: 3/24/2026	SHEET 1 OF 1

8 7 6 5 4 3 2 1