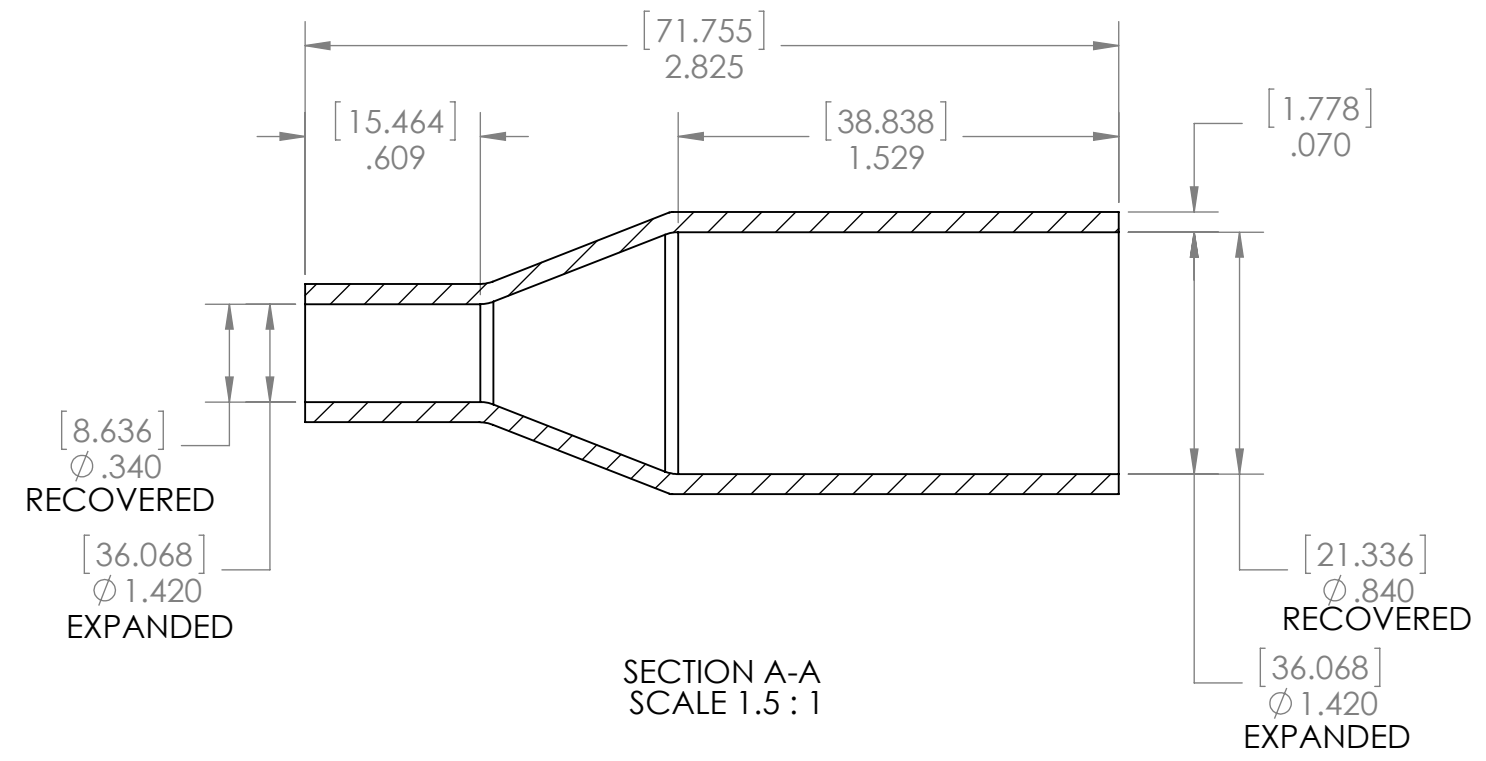
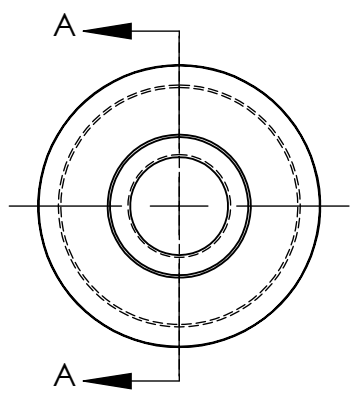
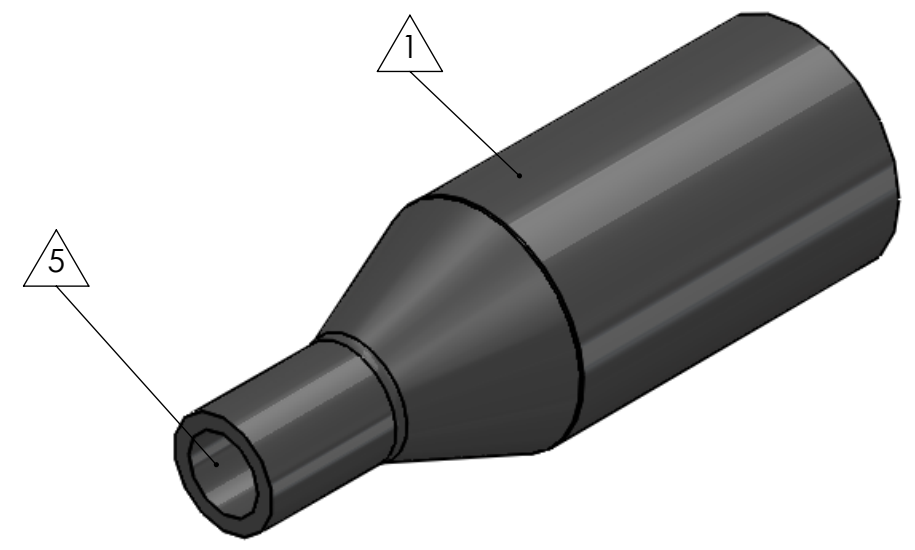


8 7 6 5 4 3 2 1

D  
C  
B  
A

D  
C  
B  
A



ITEM	PART DESCRIPTION	PART NO.	MATERIAL	<b>Nu-Tech</b>	
1	Heat-shrinkable boot		HS 3123		
				DIMENSIONS ARE IN INCHES TOLERANCES: FRACTIONAL ± 1/32 THREE PLACE DECIMAL ± 0.030	
				DWG. NO. PRP:"SW-Title"	
5	Adhesive	A-010	Hotmelt ADH	DO NOT SCALE DRAWING	WEIGHT: SW-Mass@par19.SLDPRT REV
				DRAWN: HH DATE: 3/3/2015	SCALE: 1:1 SHEET 1 OF 1

8 7 6 5 4 3 2 1