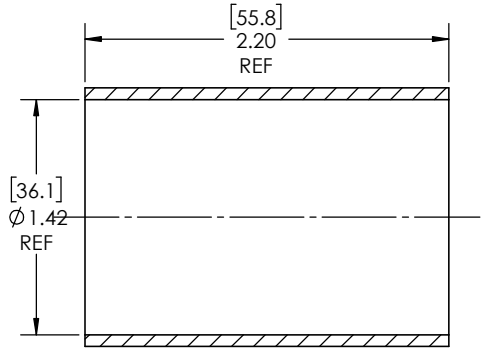
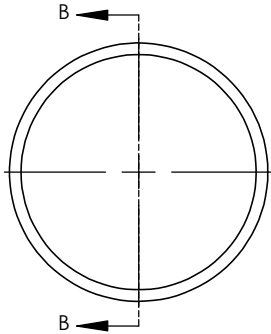


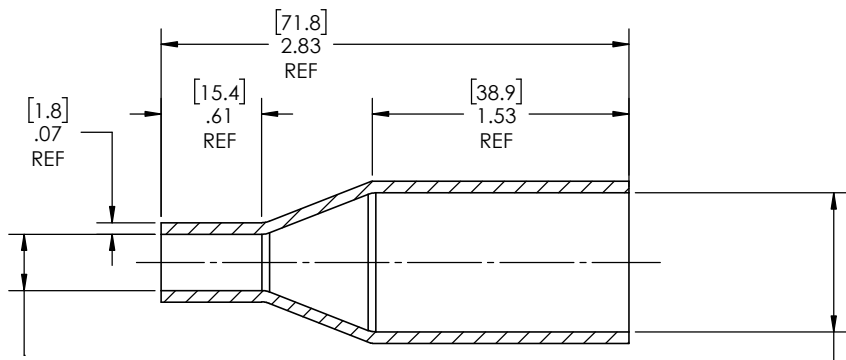
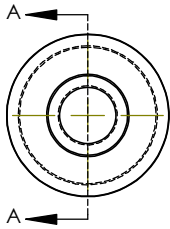
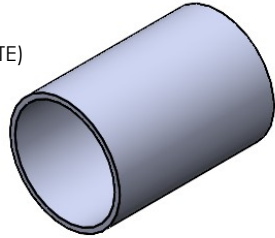
8 7 6 5 4 3 2 1



SECTION B-B
EXPANDED
SCALE 2 : 1.5

REVISIONS		
REV.	DESCRIPTION	DATE
A	UPDATE DRAWING TO 2025 STANDARDS	10/21/2025
B	UPDATE TOLERANCE TABLE	1/13/2026
C	ADJUST EXPANDED REFERENCE LENGTH TO REFLECT ACTUAL EXPANDED STATE PART SAMPLES	3/6/2026

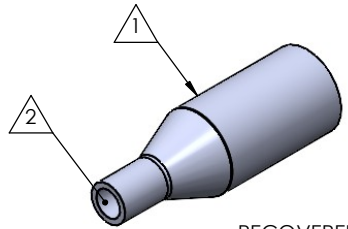
AS SUPPLIED
(EXPANDED STATE)



SECTION A-A
RECOVERED
SCALE 2 : 1.5

Expanded Min ID= 1.42(36.1) REF
[Recovered Max ID= 0.34(8.6)] REF

Expanded Min ID= 1.42(36.1) REF
[Recovered Max ID= 0.84(21.3)] REF



RECOVERED
STATE

- NOTES:
- ITEM#1 - HEAT SHRINKABLE BOOT MATERIAL IS IN ACCORDANCE WITH POLYOLEFIN STANDARDS DEFINED IN SAE AS81765/1 REFERENCE DIMENSIONS MAY DEVIATE AS MUCH AS +OR- 1/4"
 - ITEM#2 - FACTORY APPLIED HOT MELT ADHESIVE IS STANDARD - INTERIOR SURFACES.

ITEM	PART DESCRIPTION	PART NO.	MATERIAL
1	HEAT SHRINKABLE BOOT	M-432L14	FLAME RETARDANT POLYOLEFIN
2	ADHESIVE		HOTMELT POLYAMIDE

NU-TECH

PROPRIETARY AND CONFIDENTIAL
THE INFORMATION CONTAINED IN THIS DRAWING IS THE SOLE PROPERTY OF Cross Technology INC. ANY REPRODUCTION IN PART OR AS A WHOLE WITHOUT THE WRITTEN PERMISSION OF Cross Technology INC. IS PROHIBITED.

UNLESS OTHERWISE SPECIFIED: DIMENSIONS ARE IN INCHES TOLERANCES: FRACTIONAL ± 1/16 ONE DECIMAL PLACE ± 0.200 TWO DECIMAL PLACE ± 0.100 THREE DECIMAL PLACE ± 0.050	PART DESC. 43214
DWG. NO. 43214	REV C
WEIGHT: 0.019	SCALE: 2:1.5
DRAWN: MLJ DATE: 3/25/2026	SHEET 1 OF 1

8 7 6 5 4 3 2 1