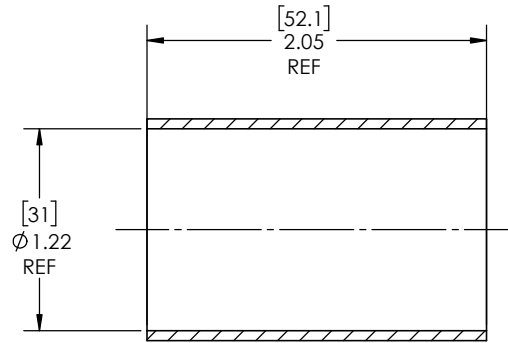
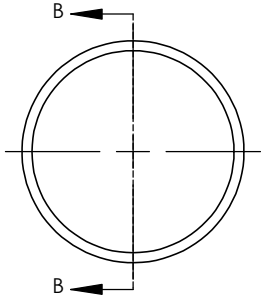
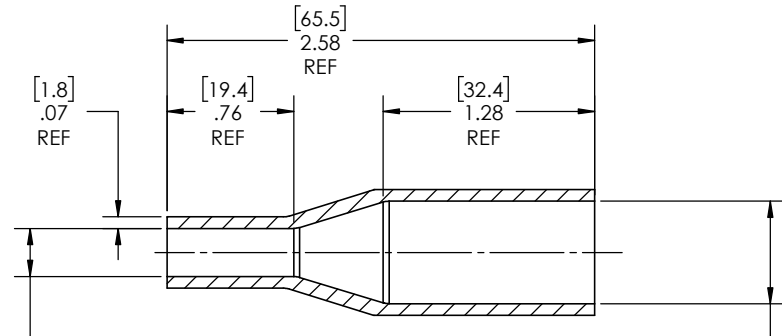
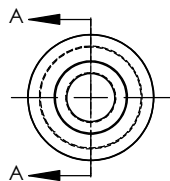
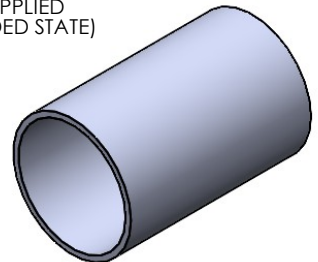


REVISIONS		
REV.	DESCRIPTION	DATE
A	UPDATE DRAWING TO 2025 STANDARDS	10/21/2025
B	UPDATE TOLERANCE TABLE	1/13/2026
C	ADJUST EXPANDED REFERENCE LENGTH TO REFLECT ACTUAL EXPANDED STATE PART SAMPLES	3/6/2026

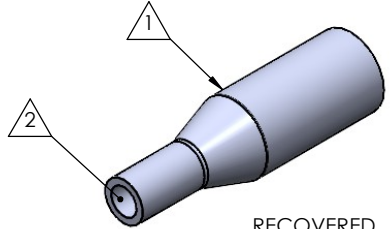


SECTION B-B
EXPANDED
SCALE 2 : 1.5

AS SUPPLIED
(EXPANDED STATE)



SECTION A-A
RECOVERED
SCALE 2 : 1.5



RECOVERED
STATE

Expanded Min ID= 1.22(31) REF
[Recovered Max ID= 0.29(7.4)] REF

Expanded Min ID= 1.22(31) REF
[Recovered Max ID= 0.62(15.8)] REF

- NOTES:
- ITEM#1 - HEAT SHRINKABLE BOOT MATERIAL IS IN ACCORDANCE WITH POLYOLEFIN STANDARDS DEFINED IN SAE AS81765/1 REFERENCE DIMENSIONS MAY DEVIATE AS MUCH AS +OR- 1/4"
 - ITEM#2 - FACTORY APPLIED HOT MELT ADHESIVE IS STANDARD - INTERIOR SURFACES.

ITEM	PART DESCRIPTION	PART NO.	MATERIAL
1	HEAT SHRINKABLE BOOT	M-43213	FLAME RETARDANT POLYOLEFIN
2	ADHESIVE		HOTMELT POLYAMIDE

NU-TECH

PROPRIETARY AND CONFIDENTIAL
THE INFORMATION CONTAINED IN THIS DRAWING IS THE SOLE PROPERTY OF Cross Technology INC. ANY REPRODUCTION IN PART OR AS A WHOLE WITHOUT THE WRITTEN PERMISSION OF Cross Technology INC. IS PROHIBITED.

UNLESS OTHERWISE SPECIFIED: DIMENSIONS ARE IN INCHES TOLERANCES: FRACTIONAL ± 1/16 ONE DECIMAL PLACE ± 0.200 TWO DECIMAL PLACE ± 0.100 THREE DECIMAL PLACE ± 0.050	PART DESC.	43213	
	DWG. NO.	43213	
	WEIGHT:	0.013	REV C
	SCALE:	2:1.5	SHEET 1 OF 1