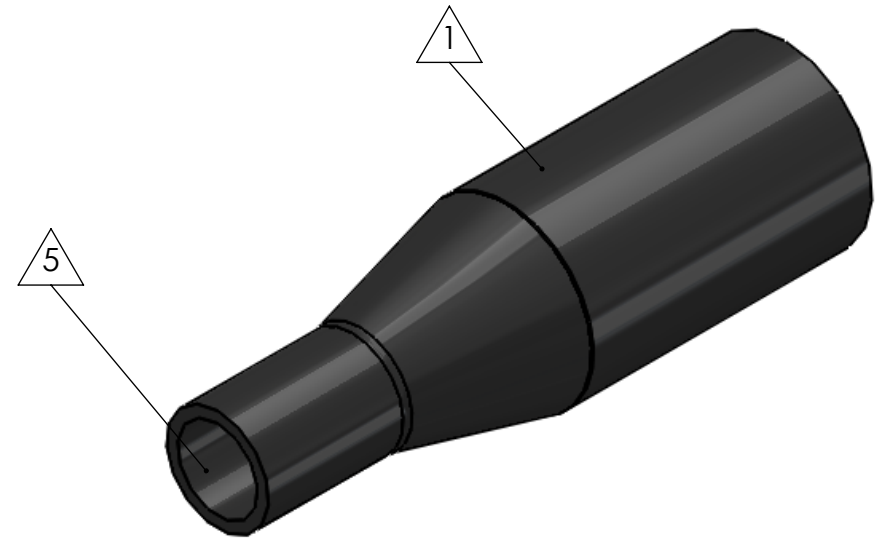
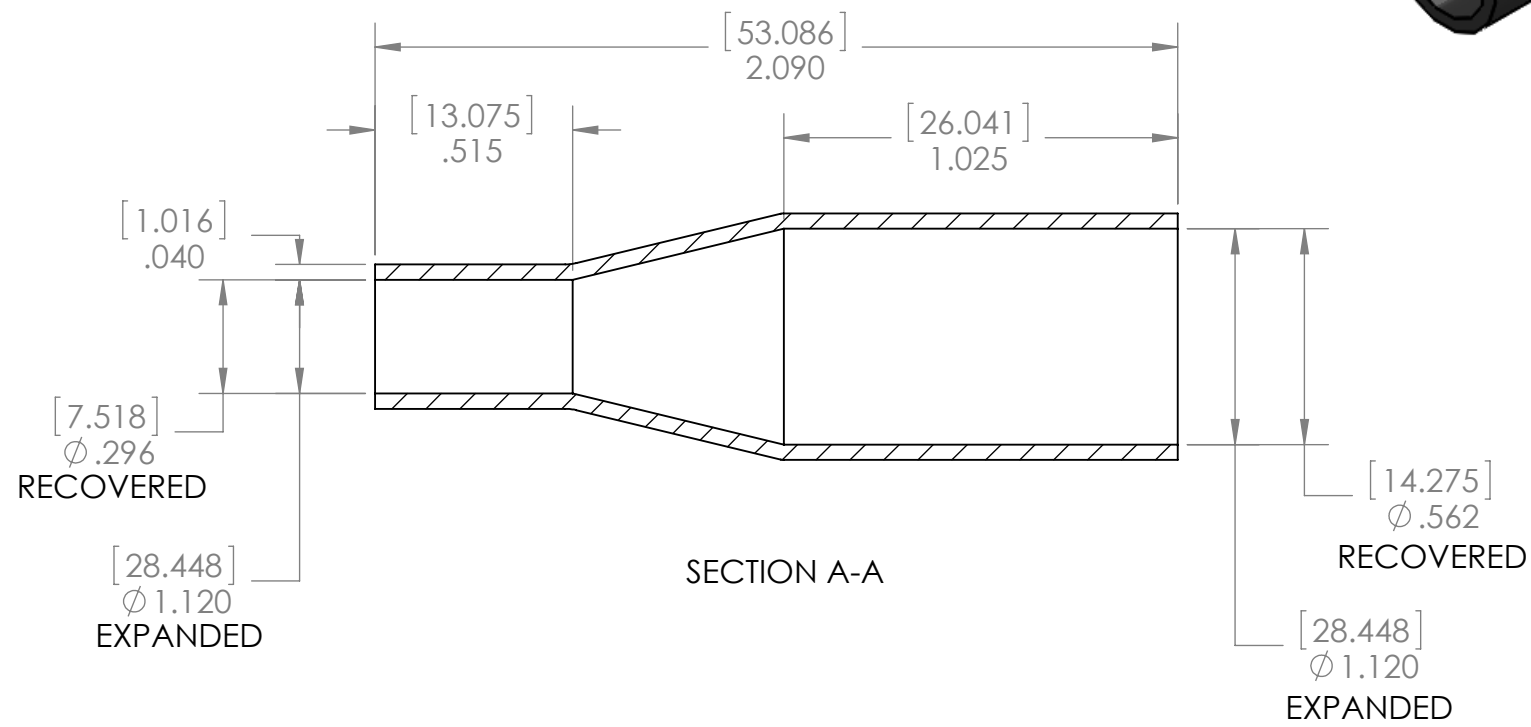
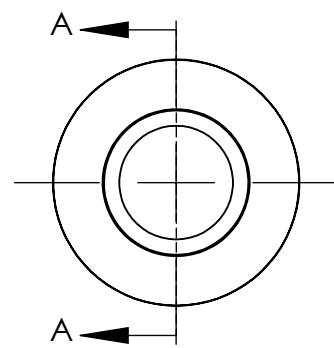


8 7 6 5 4 3 2 1

D
C
B
A



ITEM	PART DESCRIPTION	PART NO.	MATERIAL	Nu-Tech			
①	Heat-shrinkable boot		HS 3123				
				DWG. NO. PRP:"SW-Title"			
⑤	Adhesive	A-010	Hotmelt ADH	DO NOT SCALE DRAWING		WEIGHT: SW-Mass@par19.SLDPRT	REV
				DRAWN: HH	DATE: 3/3/2015	SCALE: 2:1	SHEET 1 OF 1

8 7 6 5 4 3 2 1