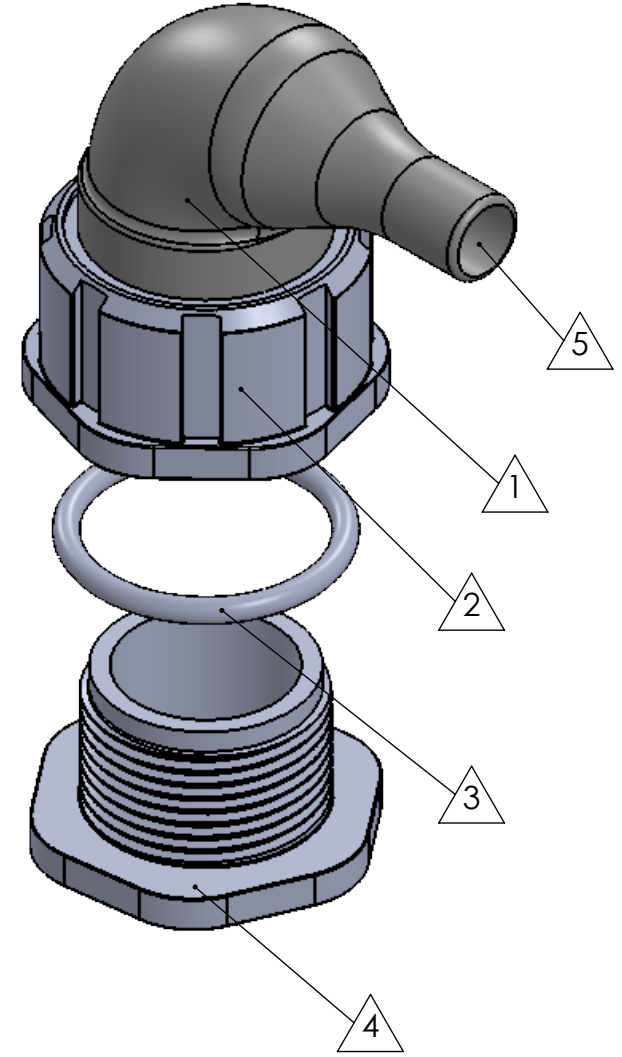
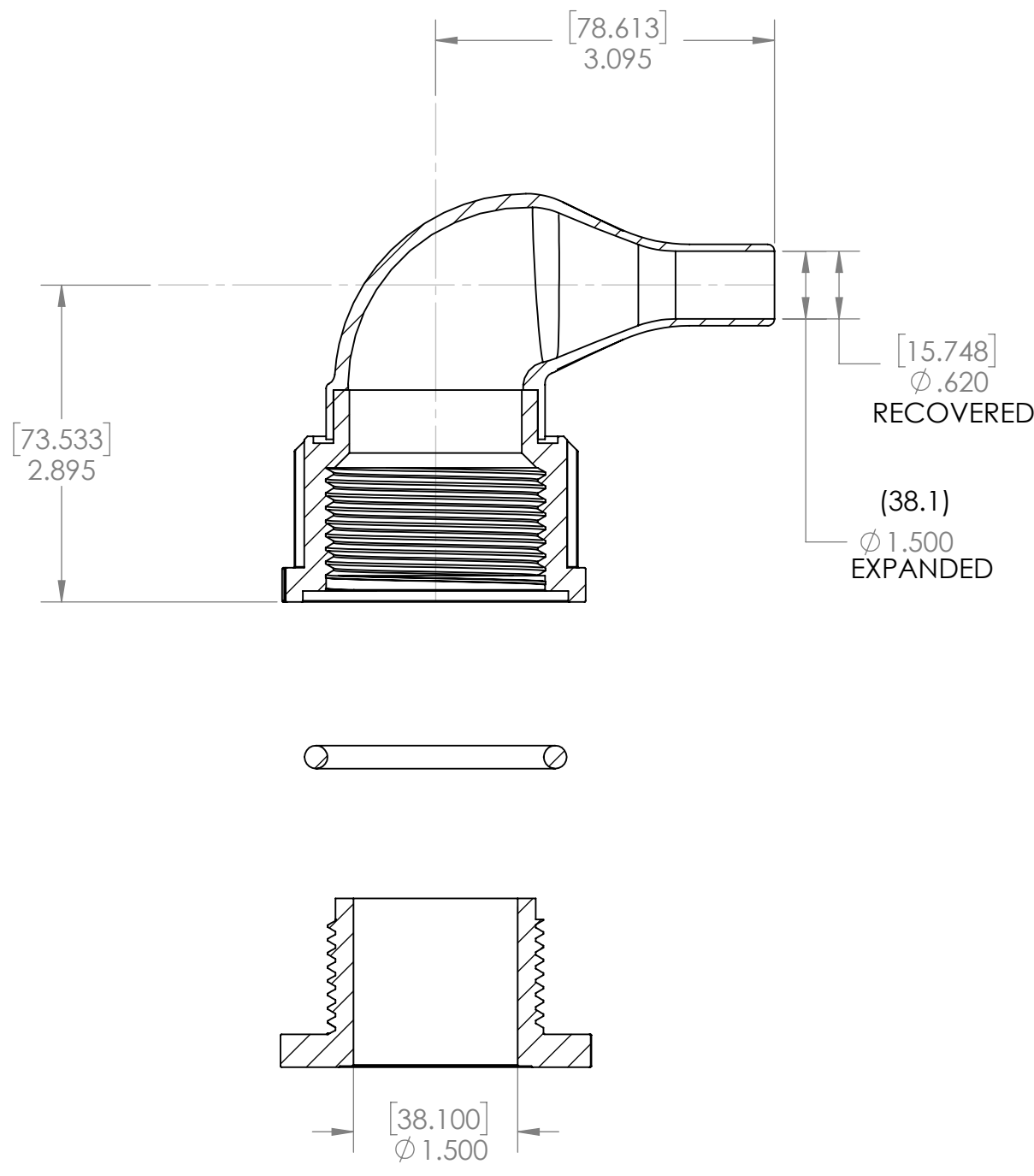
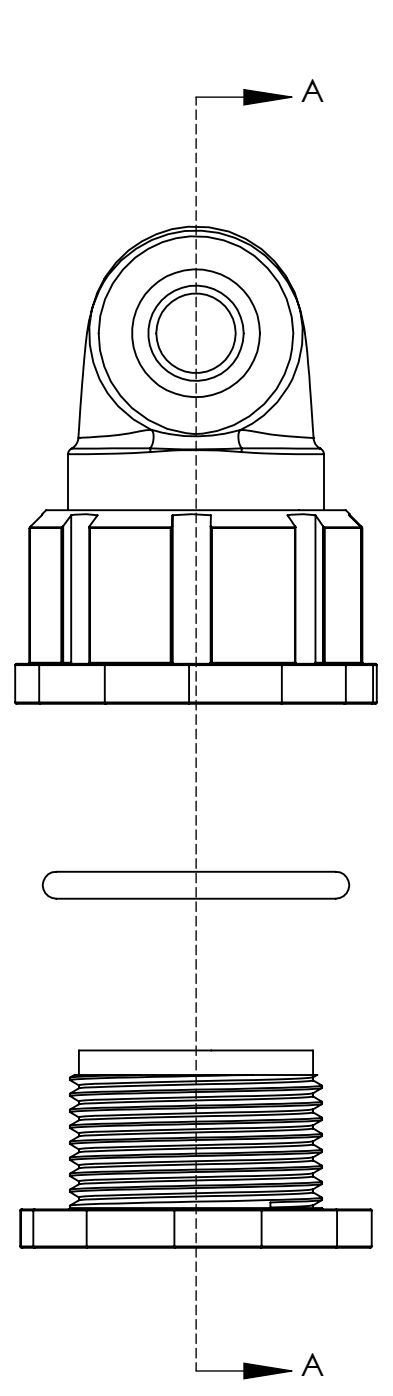


8 7 6 5 4 3 2 1

D
C
B
A



SECTION A-A
SCALE 1 : 1.5

ITEM	PART DESCRIPTION	PART NO.	MATERIAL
①	Heat-shrinkable boot	NU-4R	HS 3123
②	Body	NUS-4B	Nylon
③	O-ring	NUS-4OR	Buna
④	Nut	NUS-4N	Nylon
⑤	Adhesive	A-010	Hotmelt ADH

Nu-Tech

UNLESS OTHERWISE SPECIFIED:
DIMENSIONS ARE IN INCHES
TOLERANCES:
FRACTIONAL $\pm 1/32$
THREE PLACE DECIMAL ± 0.030
DO NOT SCALE DRAWING

PART NO.	4-NUS-4R	
DWG. NO.	PRP:"SW-Title"	
WEIGHT:	SW-Mass@part19.SLDPRT	REV
DRAWN: HH	DATE: 12/2/2019	SHEET 1 OF 1

8 7 6 5 4 3 2 1