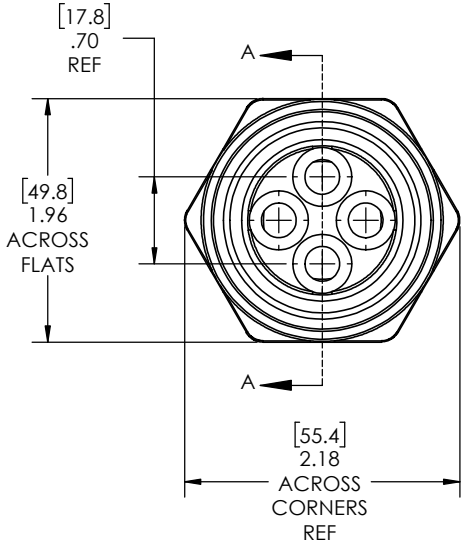
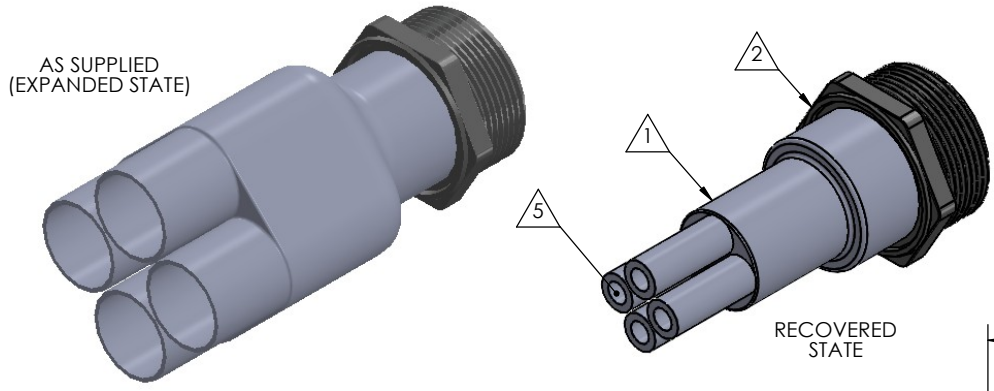
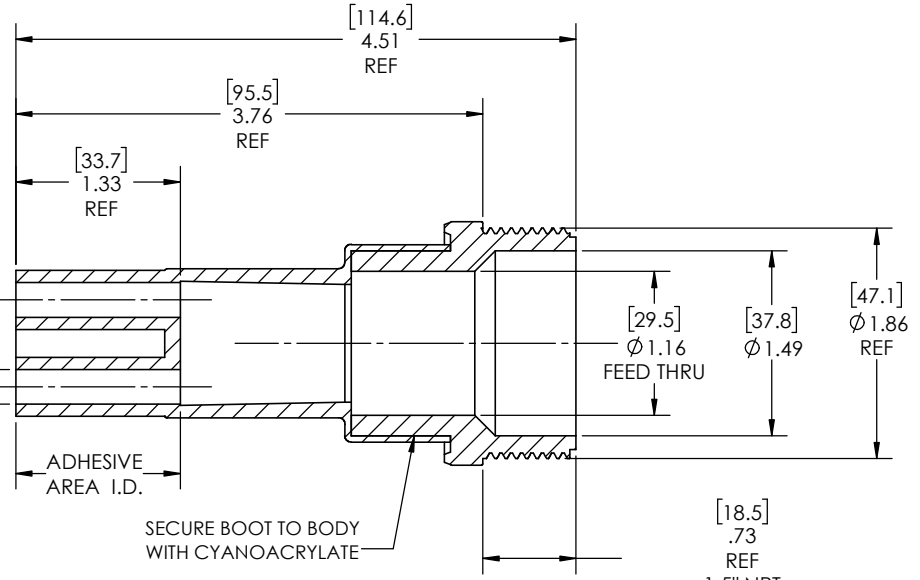


8 7 6 5 4 3 2 1

REVISIONS		
REV.	DESCRIPTION	DATE
A	UPDATE DRAWING TO 2025 STANDARDS	1/22/2026



Expanded Min ID=1.00(25.4) REF  
 [Recovered Max ID=0.28(7.1)] REF



SECTION A-A RECOVERED SCALE 1 : 1  
 THREAD SEALANT REQ'D

- NOTES:
- ITEM #1 HEAT SHRINKABLE BOOT MATERIAL IS IN ACCORDANCE WITH POLYOLEFIN STANDARDS DEFINED IN SAE AS81765/1 REFERENCE DIMENSIONS MAY DEVIATE AS MUCH AS +OR- 1/4"
  - FACTORY APPLIED HOT MELT ADHESIVE IS STANDARD

ITEM	PART DESCRIPTION	PART NO.	MATERIAL
1	Heat-shrinkable boot	NUBB4-3	Flame Retardant Polyolefin
2	Body	P-4B	Glass Fiber Reinforced, PBT
			Glass Fiber Reinforced, PBT
5	Adhesive		Hotmelt Polyamide

**NU-TECH**

UNLESS OTHERWISE SPECIFIED: DIMENSIONS ARE IN INCHES TOLERANCES: FRACTIONAL ±1/32 ONE DECIMAL PLACE ± 0.060 TWO DECIMAL PLACE ± 0.025 THREE DECIMAL PLACE ± 0.010 DO NOT SCALE DRAWING	PART NO.	
	<b>4-NUP-4C</b>	
	DWG. NO. <b>4-NUP-4C-ASSY</b>	
	WEIGHT: <b>0.189</b>	REV <b>A</b>
DRAWN: MLJ	DATE: 2/2/2026	SCALE: 1:1
		SHEET 1 OF 1

8 7 6 5 4 3 2 1

8 7 6 5 4 3 2 1