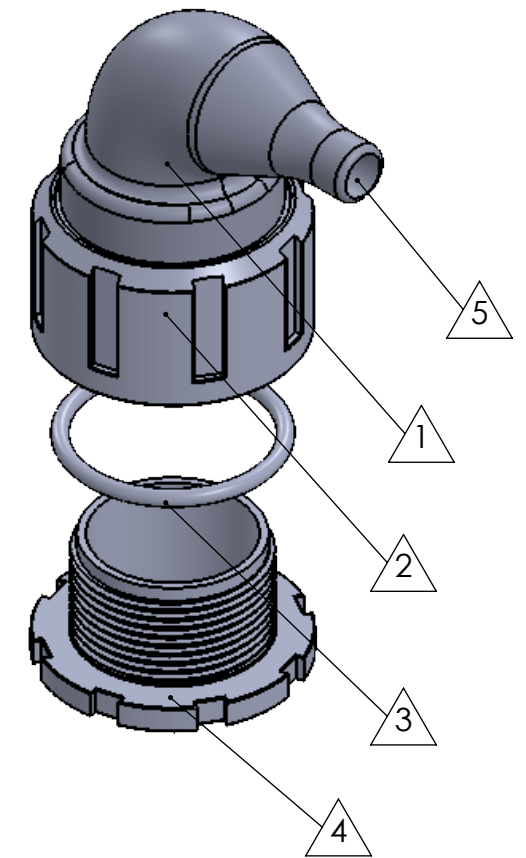


SECTION A-A  
SCALE 1 : 1.5



ITEM	PART DESCRIPTION	PART NO.	MATERIAL
①	Heat-shrinkable boot	NU-3R	HS 3123
②	Body	NUS-3XB	Nylon
③	O-ring	NUS-3XOR	Buna
④	Nut	NUS-3XN	Nylon
⑤	Adhesive	A-010	Hotmelt ADH

**Nu-Tech**

UNLESS OTHERWISE SPECIFIED:  
DIMENSIONS ARE IN INCHES  
TOLERANCES:  
FRACTIONAL ±1/32  
THREE PLACE DECIMAL ± 0.030

DO NOT SCALE DRAWING

DRAWN: HH

DATE: 12/2/2019

PART NO.

**3X-NUS-3R**

DWG. NO.

PRP:"SW-Title"

WEIGHT:

SW-Mass@par19.SLDPRT

REV

SCALE:

1:2

SHEET 1 OF 1