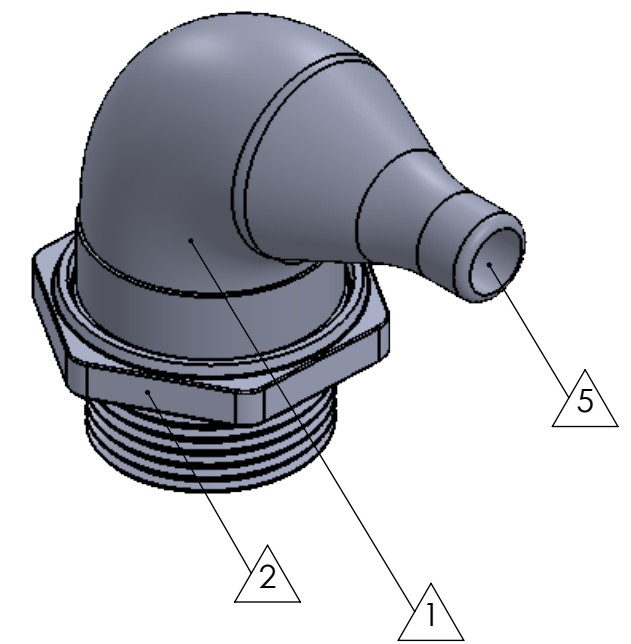


SECTION A-A



ITEM	PART DESCRIPTION	PART NO.	MATERIAL
①	Heat-shrinkable boot	NU-3R	HS 3123
②	Body	NUP-3A	Nylon
⑤	Adhesive	A-010	Hotmelt ADH

Nu-Tech

UNLESS OTHERWISE SPECIFIED:

DIMENSIONS ARE IN INCHES
TOLERANCES:
FRACTIONAL ±1/32
THREE PLACE DECIMAL ± 0.030

DO NOT SCALE DRAWING

DRAWN: HH

DATE: 12/2/2019

PART NO.

3A-NUP-3R

DWG. NO.

PRP:"SW-Title"

WEIGHT:

SW-Mass@par19.SLDPRT

REV

SCALE:

1:1

SHEET 1 OF 1