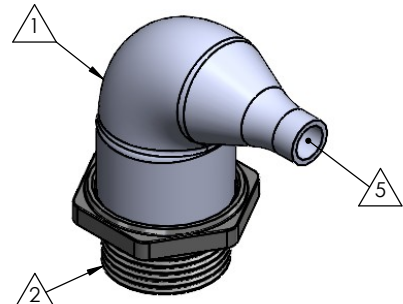
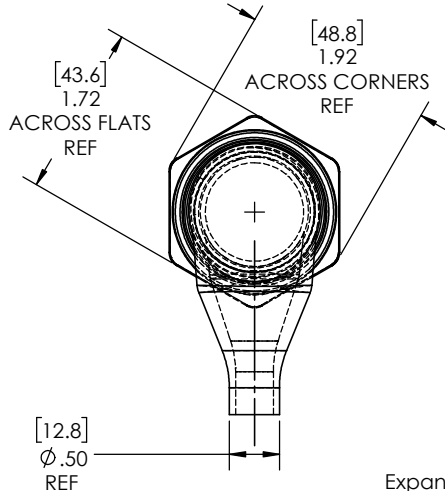
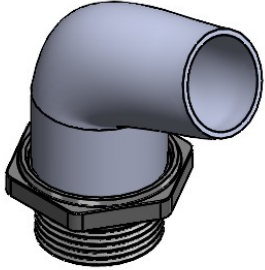


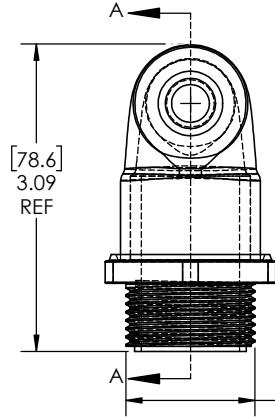
8 7 6 5 4 3 2 1

| REVISIONS | | |
|-----------|----------------------------------|----------|
| REV. | DESCRIPTION | DATE |
| A | UPDATE DRAWING TO 2025 STANDARDS | 5/5/2026 |

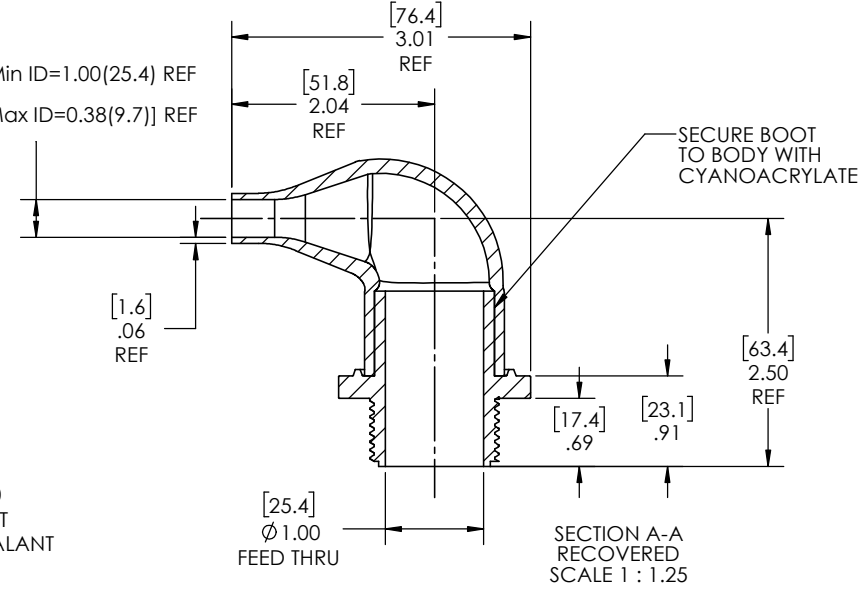
AS SUPPLIED
(EXPANDED STATE)



RECOVERED
STATE



Expanded Min ID=1.00(25.4) REF
[Recovered Max ID=0.38(9.7)] REF



SECTION A-A
RECOVERED
SCALE 1 : 1.25

NOTES:

- ITEM #1 HEAT SHRINKABLE BOOT MATERIAL IS IN ACCORDANCE WITH POLYOLEFIN STANDARDS DEFINED IN SAE AS81765/1 REFERENCE DIMENSIONS MAY DEVIATE AS MUCH AS +OR- 1/4"
- FACTORY APPLIED HOT MELT ADHESIVE IS STANDARD

| ITEM | PART DESCRIPTION | PART NO. | MATERIAL |
|------|----------------------|----------|-----------------------------|
| 1 | Heat-shrinkable boot | NU-3R | Flame Retardant Polyolefin |
| 2 | Body | P-3A | Glass Fiber Reinforced, PBT |
| 5 | Adhesive | | Hotmelt Polyamide |

NU-TECH

UNLESS OTHERWISE SPECIFIED:
DIMENSIONS ARE IN INCHES
TOLERANCES:
FRACTIONAL ± 1/32
ONE DECIMAL PLACE ± 0.060
TWO DECIMAL PLACE ± 0.025
THREE DECIMAL PLACE ± 0.010
DO NOT SCALE DRAWING

PART NO.
3A-NUP-3R

DWG. NO. **3A-NUP-3R**

WEIGHT: **0.090** REV **A**

DRAWN: MLJ DATE: 5/5/2026 SCALE: 1:1.25 SHEET 1 OF 1

8 7 6 5 4 3 2 1