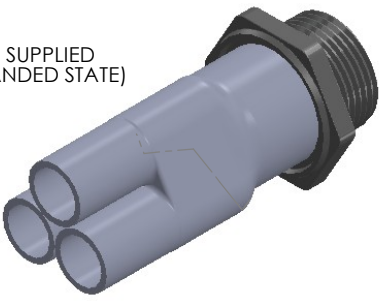


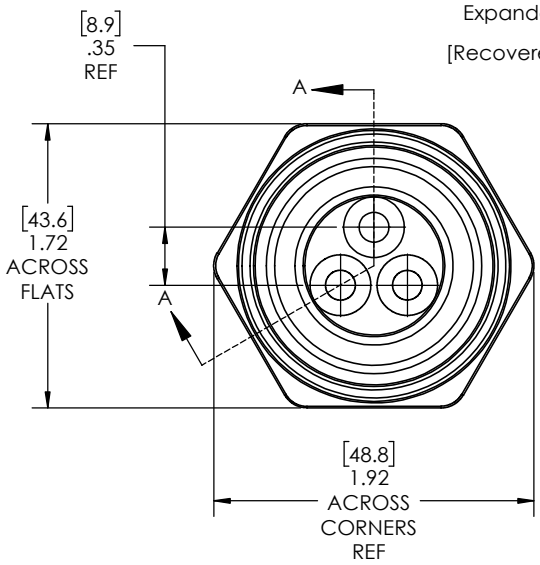
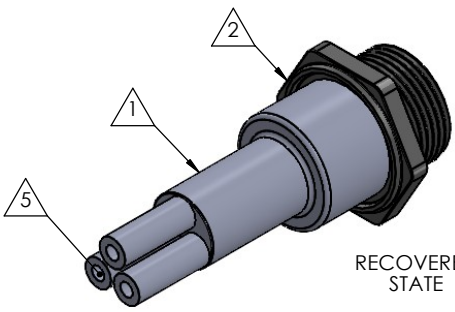
8 7 6 5 4 3 2 1

REVISIONS		
REV.	DESCRIPTION	DATE
A	UPDATE DRAWING TO 2025 STANDARDS	1/14/2026

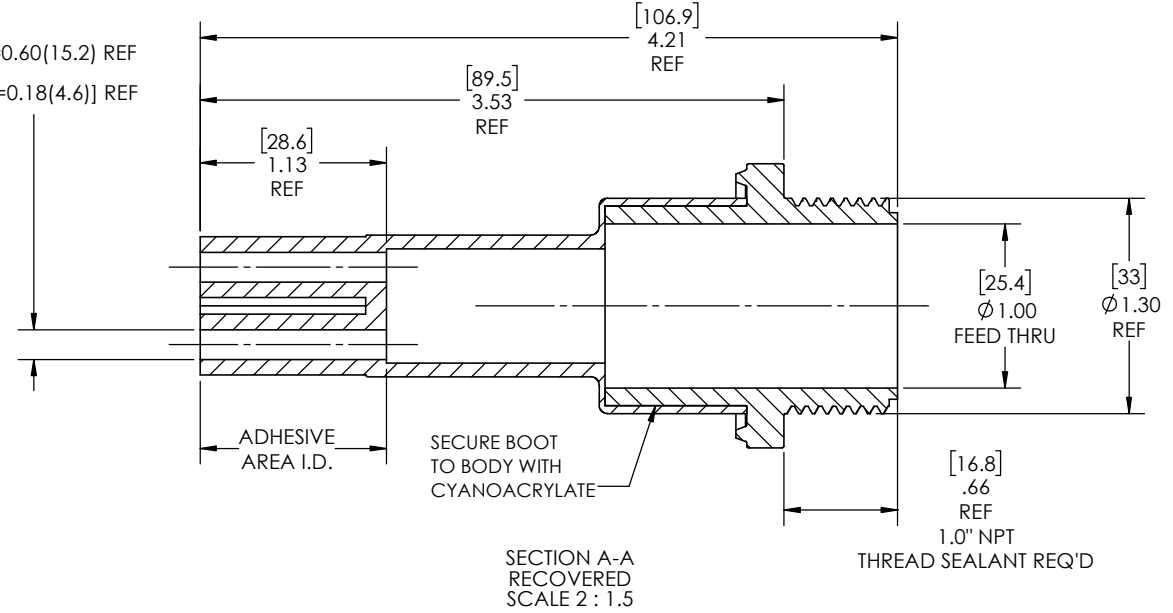
AS SUPPLIED
(EXPANDED STATE)



RECOVERED STATE



Expanded Min ID=0.60(15.2) REF
[Recovered Max ID=0.18(4.6)] REF



SECTION A-A
RECOVERED
SCALE 2 : 1.5

THREAD SEALANT REQ'D

NOTES:

- ITEM #1 HEAT SHRINKABLE BOOT MATERIAL IS IN ACCORDANCE WITH POLYOLEFIN STANDARDS DEFINED IN SAE AS81765/1 REFERENCE DIMENSIONS MAY DEVIATE AS MUCH AS +OR- 1/4"
- FACTORY APPLIED HOT MELT ADHESIVE IS STANDARD

ITEM	PART DESCRIPTION	PART NO.	MATERIAL
1	Heat-shrinkable boot	NUBB3-2	Flame Retardant Polyolefin
2	Body	P-3AB	Glass Fiber Reinforced, PBT
5	Adhesive		Hotmelt Polyamide

NU-TECH

UNLESS OTHERWISE SPECIFIED:
DIMENSIONS ARE IN INCHES
TOLERANCES:
FRACTIONAL ±1/32
ONE DECIMAL PLACE ± 0.060
TWO DECIMAL PLACE ± 0.025
THREE DECIMAL PLACE ± 0.010
DO NOT SCALE DRAWING

PART NO.
3A-NUP-3B

DWG. NO. 3A-NUP-3B-ASSY

WEIGHT: 0.082 REV A

DRAWN: MLJ

DATE: 2/2/2026

SCALE: 2:1.5

SHEET 1 OF 1

8 7 6 5 4 3 2 1

8 7 6 5 4 3 2 1