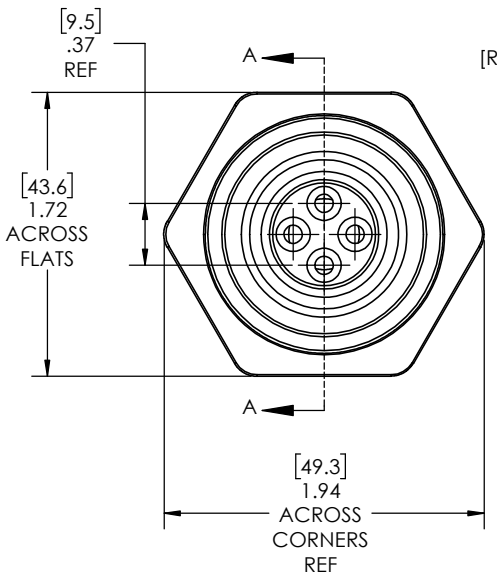
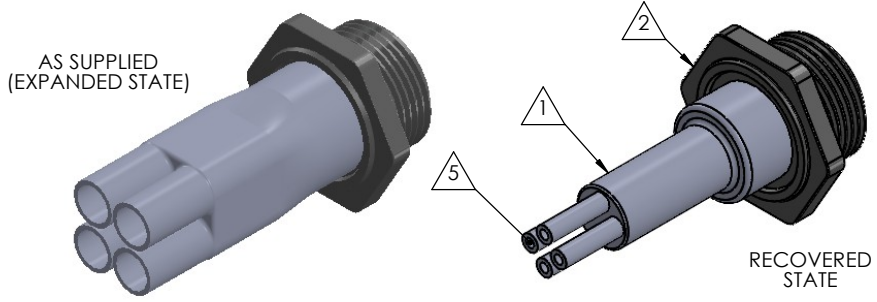
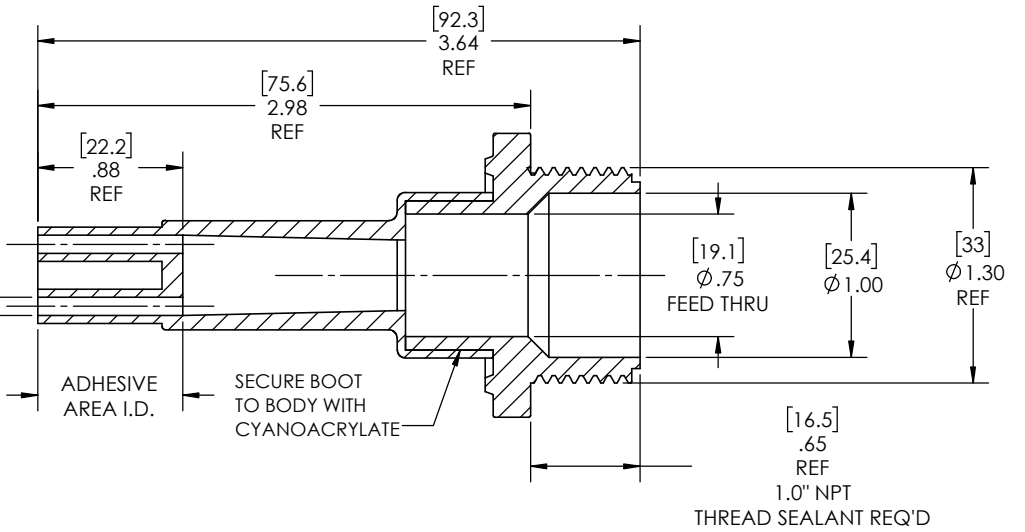


| REVISIONS | | |
|-----------|----------------------------------|-----------|
| REV. | DESCRIPTION | DATE |
| A | UPDATE DRAWING TO 2025 STANDARDS | 1/19/2026 |



Expanded Min ID=0.40(10.2) REF
 [Recovered Max ID=0.12(3.1)] REF



SECTION A-A
 RECOVERED
 SCALE 2 : 1.5

- NOTES:
- ITEM #1 HEAT SHRINKABLE BOOT MATERIAL IS IN ACCORDANCE WITH POLYOLEFIN STANDARDS DEFINED IN SAE AS81765/1 REFERENCE DIMENSIONS MAY DEVIATE AS MUCH AS +OR- 1/4"
 - FACTORY APPLIED HOT MELT ADHESIVE IS STANDARD

| ITEM | PART DESCRIPTION | PART NO. | MATERIAL |
|------|----------------------|----------|-----------------------------|
| 1 | Heat-shrinkable boot | NUBB4-1 | Flame Retardant Polyolefin |
| 2 | Body | P-3B | Glass Fiber Reinforced, PBT |
| 5 | Adhesive | | Hotmelt Polyamide |

NU-TECH

| | | |
|---|----------------------|--------------|
| UNLESS OTHERWISE SPECIFIED: DIMENSIONS ARE IN INCHES TOLERANCES: FRACTIONAL ±1/32 ONE DECIMAL PLACE ± 0.060 TWO DECIMAL PLACE ± 0.025 THREE DECIMAL PLACE ± 0.010 DO NOT SCALE DRAWING | PART NO. | |
| | 3-NUP-4A | |
| | DWG. NO. | |
| | 3-NUP-4A-ASSY | |
| WEIGHT: | 0.083 | REV A |
| DRAWN: MLJ | DATE: 2/2/2026 | SCALE: 2:1.5 |
| SHEET 1 OF 1 | | |