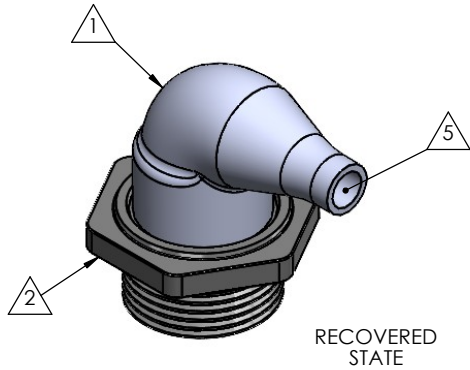
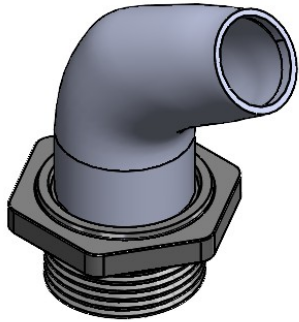
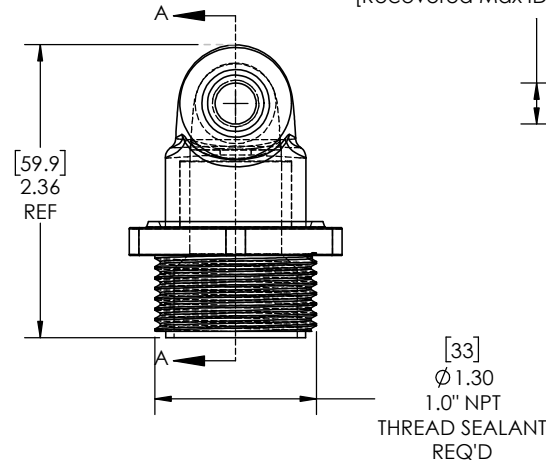
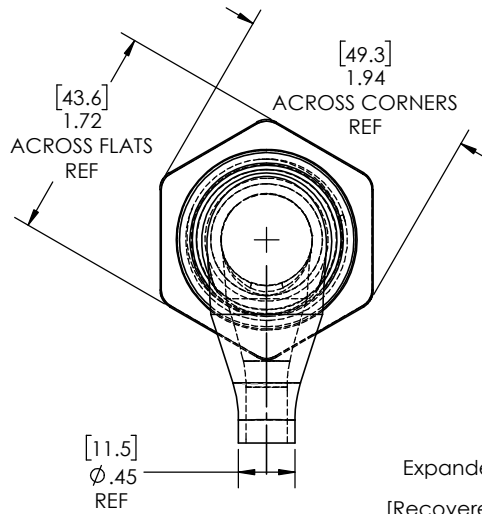


8 7 6 5 4 3 2 1

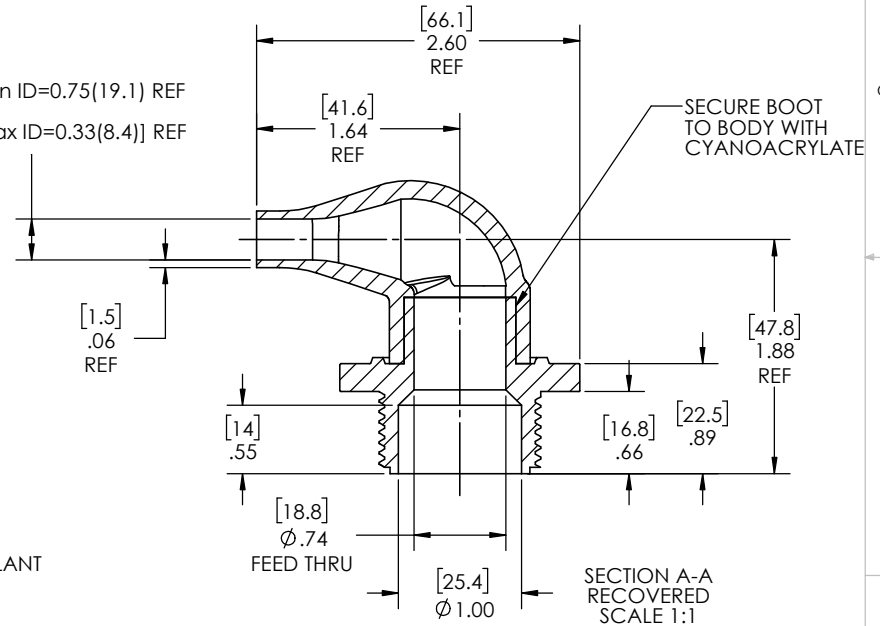
AS SUPPLIED
(EXPANDED STATE)



RECOVERED STATE



Expanded Min ID=0.75(19.1) REF
[Recovered Max ID=0.33(8.4)] REF



SECTION A-A
RECOVERED
SCALE 1:1

REVISIONS		
REV.	DESCRIPTION	DATE
A	UPDATE DRAWING TO 2025 STANDARDS	5/5/2026

NOTES:

- ITEM#1 HEAT SHRINKABLE BOOT MATERIAL IS IN ACCORDANCE WITH POLYOLEFIN STANDARDS DEFINED IN SAE AS81765/1 REFERENCE DIMENSIONS MAY DEVIATE AS MUCH AS +OR- 1/4"
- FACTORY APPLIED HOT MELT ADHESIVE IS STANDARD

PROPRIETARY AND CONFIDENTIAL

THE INFORMATION CONTAINED IN THIS DRAWING IS THE SOLE PROPERTY OF Cross Technology INC. ANY REPRODUCTION IN PART OR AS A WHOLE WITHOUT THE WRITTEN PERMISSION OF Cross Technology INC. IS PROHIBITED.

ITEM	PART DESCRIPTION	PART NO.	MATERIAL
1	Heat-shrinkable boot	NU-2R	Flame Retardant Polyolefin
2	Body	P-3	Glass Fiber Reinforced, PBT
5	Adhesive		Hotmelt Polyamide

NU-TECH

UNLESS OTHERWISE SPECIFIED:
DIMENSIONS ARE IN INCHES
TOLERANCES:
FRACTIONAL ±1/32
ONE DECIMAL PLACE ± 0.060
TWO DECIMAL PLACE ± 0.025
THREE DECIMAL PLACE ± 0.010

DO NOT SCALE DRAWING

DRAWN: MLJ DATE: 5/5/2026

PART NO.
3-NUP-2R

DWG. NO. **3-NUP-2R**

WEIGHT: **0.067** REV **A**

SCALE: **1:1** SHEET 1 OF 1

8 7 6 5 4 3 2 1