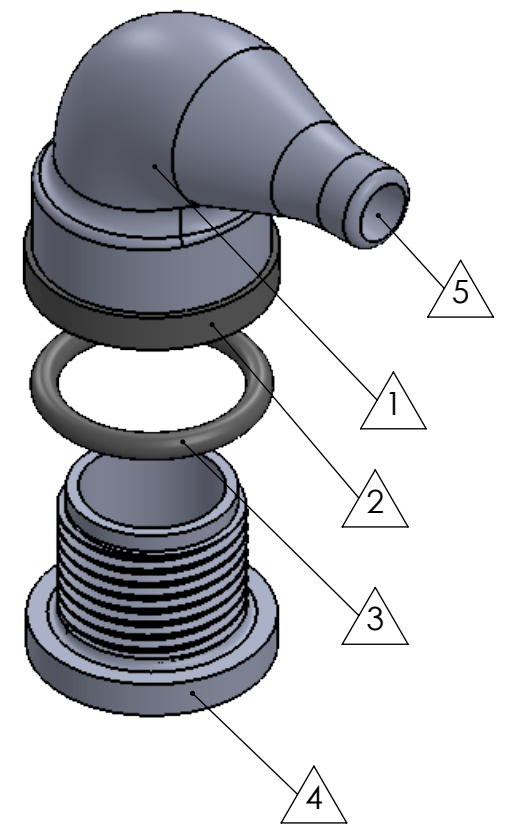
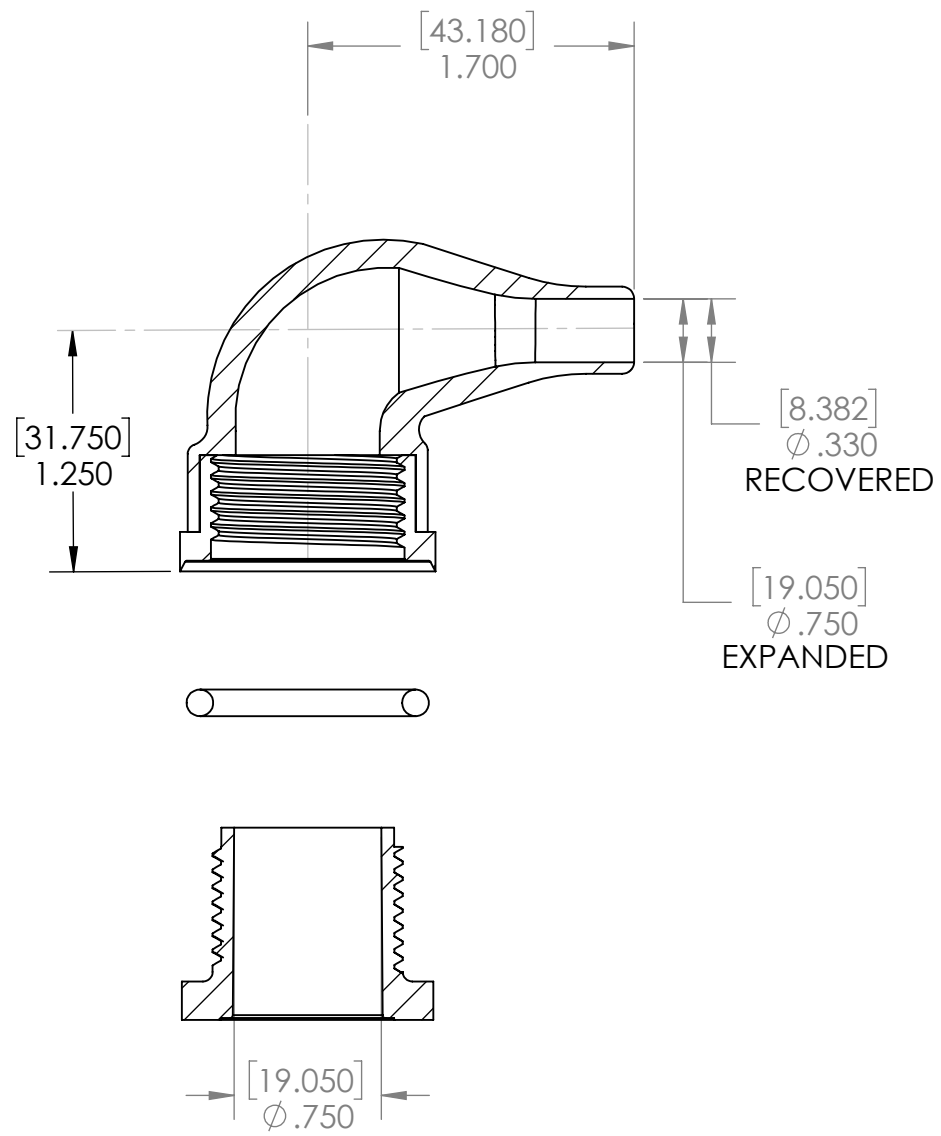
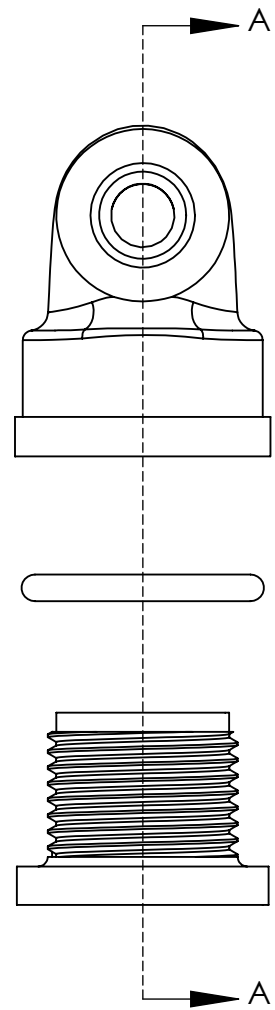


8 7 6 5 4 3 2 1

D
C
B
A



SECTION A-A

ITEM	PART DESCRIPTION	PART NO.	MATERIAL	<h2 style="text-align: center;">Nu-Tech</h2>			
①	Heat-shrinkable boot	NU-2R	HS 3123			<p>UNLESS OTHERWISE SPECIFIED: DIMENSIONS ARE IN INCHES TOLERANCES: FRACTIONAL ±1/32 THREE PLACE DECIMAL ± 0.030</p> <p>DO NOT SCALE DRAWING</p> <p>DRAWN: HH DATE: 12/2/2019 SCALE: 1:1</p>	
②	Body	NUS-2B	Nylon	PART NO. 2X-NUS-2R			
③	O-ring	NUS-2OR	Buna	DWG. NO. PRP:"SW-Title"			
④	Nut	NUS-2N	Nylon	WEIGHT: SW-Mass@par19.SLDPRT REV			
⑤	Adhesive	A-010	Hotmelt ADH	SHEET 1 OF 1			

8 7 6 5 4 3 2 1