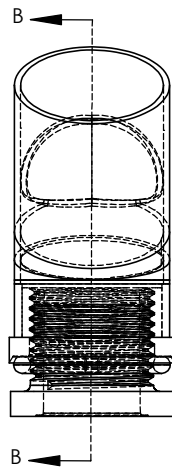
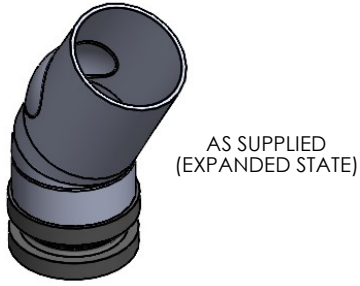


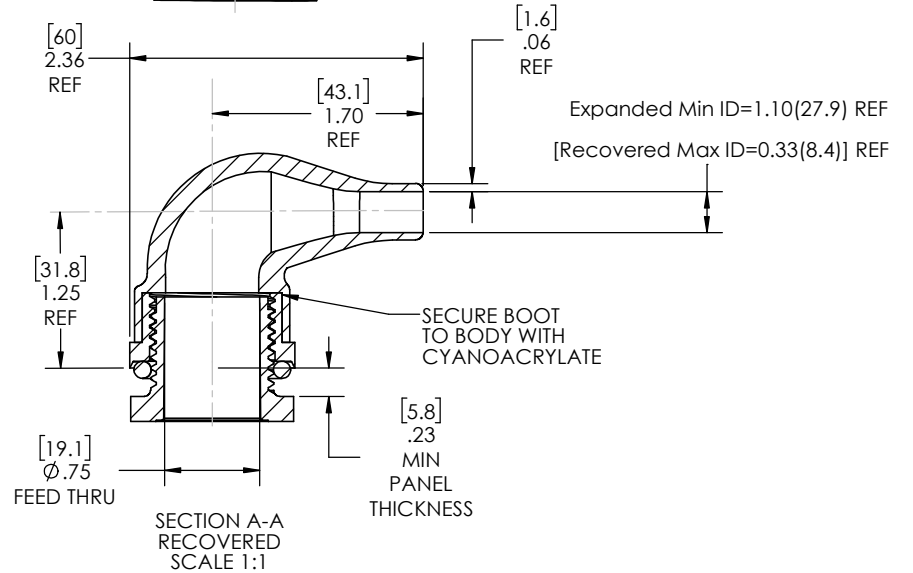
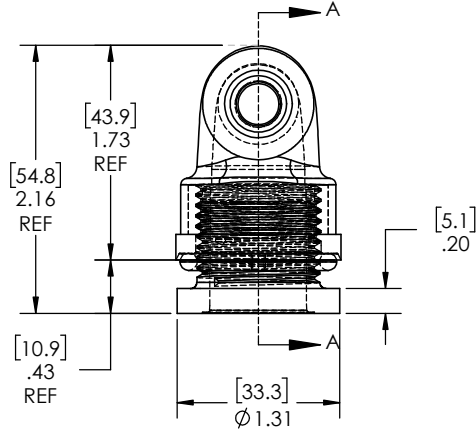
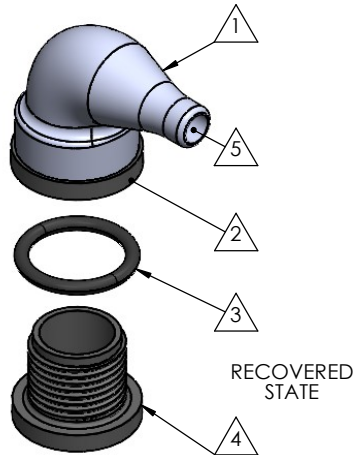
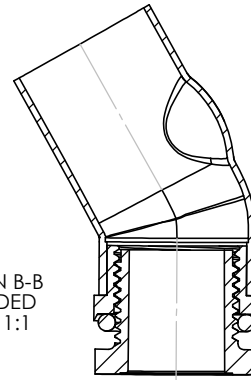
8 7 6 5 4 3 2 1

NOTE: REFERENCE FOR SEAL ASSEMBLY INSTALLATION:
 ASSEMBLY MAY BE INSTALLED IN PANELS FROM
 0.08"(2.0mm) - 0.35"(8.9mm).
 RECCOMENDED DRILL HOLE DIAMETER
 OF 1.00" (25.4mm)

| REVISIONS | | |
|-----------|----------------------------------|-----------|
| REV. | DESCRIPTION | DATE |
| A | UPDATE DRAWING TO 2025 STANDARDS | 3/12/2026 |



SECTION B-B
 EXPANDED
 SCALE 1:1



NOTES:

- ITEM#1 HEAT SHRINKABLE BOOT MATERIAL IS IN ACCORDANCE WITH POLYOLEFIN STANDARDS DEFINED IN SAE AS81765/1 REFERENCE DIMENSIONS MAY DEVIATE AS MUCH AS +OR- 1/4"
- FACTORY APPLIED HOT MELT ADHESIVE IS STANDARD

PROPRIETARY AND CONFIDENTIAL

THE INFORMATION CONTAINED IN THIS DRAWING IS THE SOLE PROPERTY OF Cross Technology INC. ANY REPRODUCTION IN PART OR AS A WHOLE WITHOUT THE WRITTEN PERMISSION OF Cross Technology INC. IS PROHIBITED.

| ITEM | PART DESCRIPTION | PART NO. | MATERIAL |
|------|----------------------|--------------|-----------------------------|
| 1 | Heat-shrinkable boot | NU2R | Flame Retardant Polyolefin |
| 2 | Body | S-2B TRIMMED | Glass Fiber Reinforced, PBT |
| 3 | O-ring | AS-214 | Buna |
| 4 | Nut | S-2XN | Glass Fiber Reinforced, PBT |
| 5 | Adhesive | | Hotmelt Polyamide |

NU-TECH

UNLESS OTHERWISE SPECIFIED:
 DIMENSIONS ARE IN INCHES
 TOLERANCES:
 FRACTIONAL ±1/32
 ONE DECIMAL PLACE ± 0.060
 TWO DECIMAL PLACE ± 0.025
 THREE DECIMAL PLACE ± 0.010

DO NOT SCALE DRAWING

DRAWN: MLJ DATE: 5/5/2026

PART NO.
2X-NUS-2R

DWG. NO. **2X-NUS-2R**

WEIGHT: **0.052** REV **A**

SCALE: **1:1** SHEET 1 OF 1

8 7 6 5 4 3 2 1