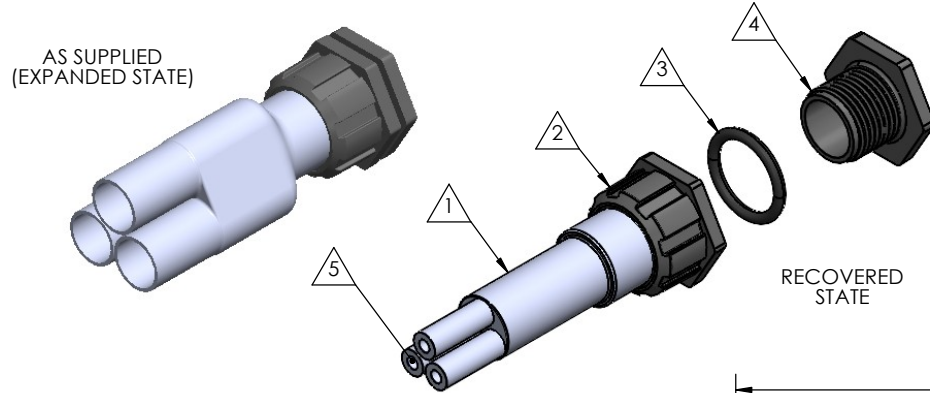
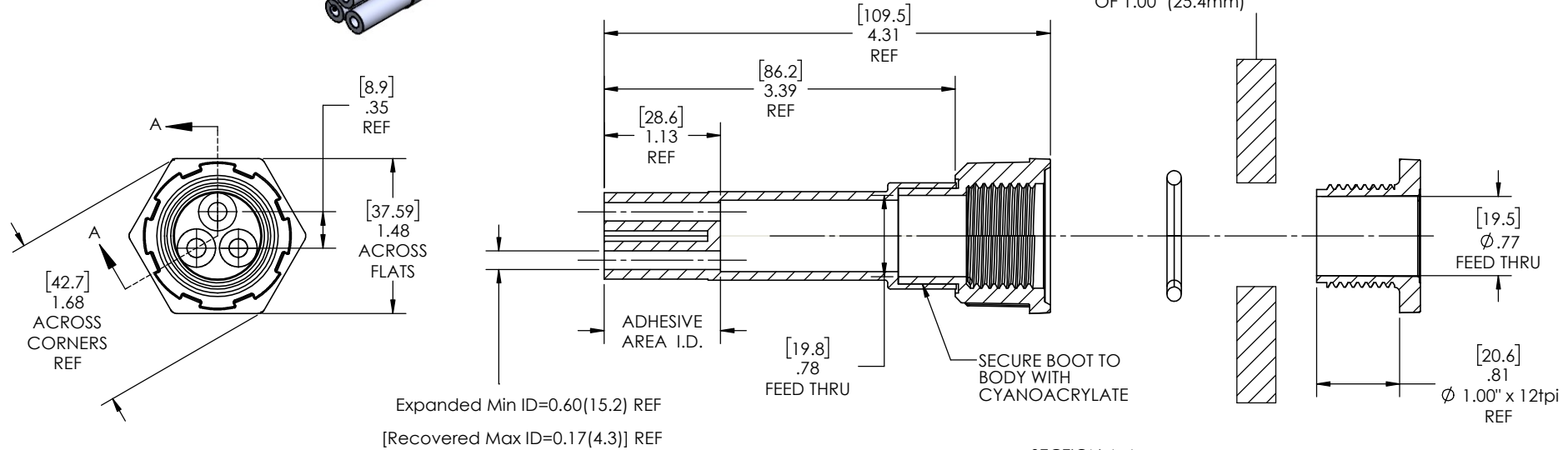


8 7 6 5 4 3 2 1

REVISIONS		
REV.	DESCRIPTION	DATE
A	UPDATE DRAWING TO 2025 STANDARDS	12/1/2025
B	REFINE DIMENSIONS AND DECIMAL PRECISION	12/16/2025
C	UPDATE TOLERANCE TABLE	12/30/2025



NOTE: REFERENCE FOR SEAL ASSEMBLY INSTALLATION:
 ASSEMBLY MAY BE INSTALLED IN PANELS FROM
 0.07"(1.8mm) - 0.38"(9.5mm).
 RECOMMENDED DRILL HOLE DIAMETER
 OF 1.00" (25.4mm)



SECTION A-A
 RECOVERED
 SCALE 1 : 1

- NOTES:
- ITEM #1 HEAT SHRINKABLE BOOT MATERIAL IS IN ACCORDANCE WITH POLYOLEFIN STANDARDS DEFINED IN SAE AS81765/1 REFERENCE DIMENSIONS MAY DEVIATE AS MUCH AS +OR- 1/4"
 - FACTORY APPLIED HOT MELT ADHESIVE IS STANDARD

ITEM	PART DESCRIPTION	PART NO.	MATERIAL
1	Heat-shrinkable boot	NUBB3-2	Flame Retardant Polyolefin
2	Body	S-2B	Glass Fiber Reinforced, PBT
3	O-ring	AS-214	Buna
4	Nut	S-1/S-2N	Glass Fiber Reinforced, PBT
5	Adhesive		Hotmelt Polyamide

NU-TECH

UNLESS OTHERWISE SPECIFIED: DIMENSIONS ARE IN INCHES TOLERANCES: FRACTIONAL ± 1/32 ONE DECIMAL PLACE ± 0.060 TWO DECIMAL PLACE ± 0.025 THREE DECIMAL PLACE ± 0.010 DO NOT SCALE DRAWING	PART NO.	
	2-NUS-3B	
	DWG. NO. 2-NUS-3B-ASSY	
	WEIGHT: 0.103	REV C
DRAWN: MLJ	DATE: 3/10/2026	SCALE: 1:1
		SHEET 1 OF 1

8 7 6 5 4 3 2 1

8 7 6 5 4 3 2 1