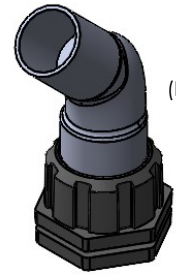
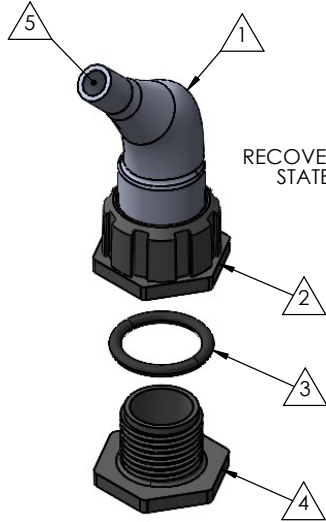
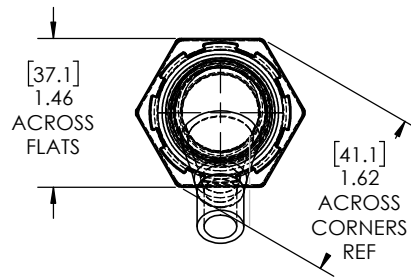


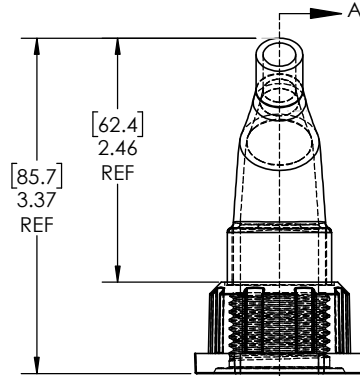
REVISIONS		
REV.	DESCRIPTION	DATE
A	UPDATE DRAWING TO 2025 STANDARDS	3/30/2026



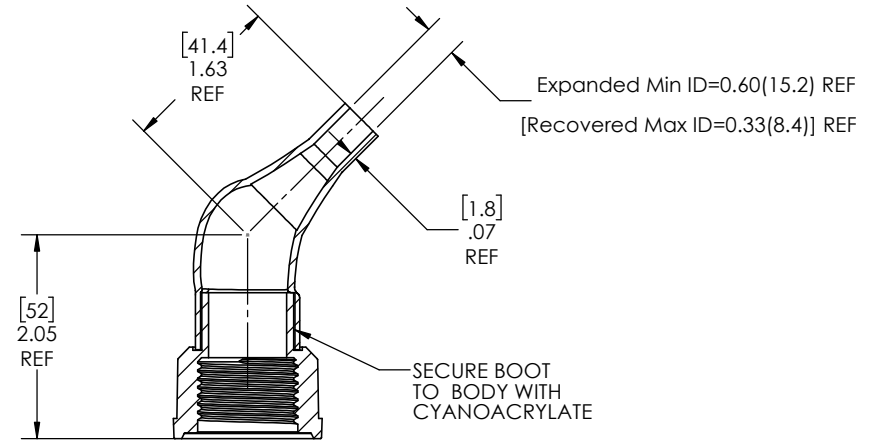
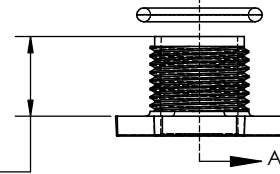
AS SUPPLIED
(EXPANDED STATE)



RECOVERED
STATE



[20.6]
.81
Ø 1.0" x 12tpi



Expanded Min ID=0.60(15.2) REF
[Recovered Max ID=0.33(8.4)] REF

SECURE BOOT
TO BODY WITH
CYANOACRYLATE

NOTE: REFERENCE FOR SEAL ASSEMBLY INSTALLATION:
ASSEMBLY MAY BE INSTALLED IN PANELS FROM
0.08"(2.0mm) - 0.39"(9.9mm).
RECOMMENDED DRILL HOLE DIAMETER
OF 1.00" (25.4mm)

SECTION A-A
RECOVERED
SCALE 1 : 1.25

NOTES:

- ITEM#1 HEAT SHRINKABLE BOOT MATERIAL IS IN ACCORDANCE WITH POLYOLEFIN STANDARDS DEFINED IN SAE AS81765/1 REFERENCE DIMENSIONS MAY DEVIATE AS MUCH AS +OR- 1/4"
- FACTORY APPLIED HOT MELT ADHESIVE IS STANDARD

PROPRIETARY AND CONFIDENTIAL

THE INFORMATION CONTAINED IN THIS DRAWING IS THE SOLE PROPERTY OF Cross Technology INC. ANY REPRODUCTION IN PART OR AS A WHOLE WITHOUT THE WRITTEN PERMISSION OF Cross Technology INC. IS PROHIBITED.

ITEM	PART DESCRIPTION	PART NO.	MATERIAL
1	Heat-shrinkable boot	NU2-45	Flame Retardant Polyolefin
2	Body	S-2B	Glass Fiber Reinforced, PBT
3	O-ring	AS-214	Glass Fiber Reinforced, PBT
4	Nut	S-2N	Glass Fiber Reinforced, PBT
5	Adhesive		Hotmelt Polyamide

NU-TECH

UNLESS OTHERWISE SPECIFIED:
DIMENSIONS ARE IN INCHES
TOLERANCES:
FRACTIONAL ±1/32
ONE DECIMAL PLACE ± 0.060
TWO DECIMAL PLACE ± 0.025
THREE DECIMAL PLACE ± 0.010
DO NOT SCALE DRAWING

PART NO.
2-NUS-2-45

DWG. NO. **2-NUS-2-45**

WEIGHT: **0.077**

REV **A**

DRAWN: MLJ

DATE: 3/30/2026

SCALE: **1:1.25**

SHEET 1 OF 1