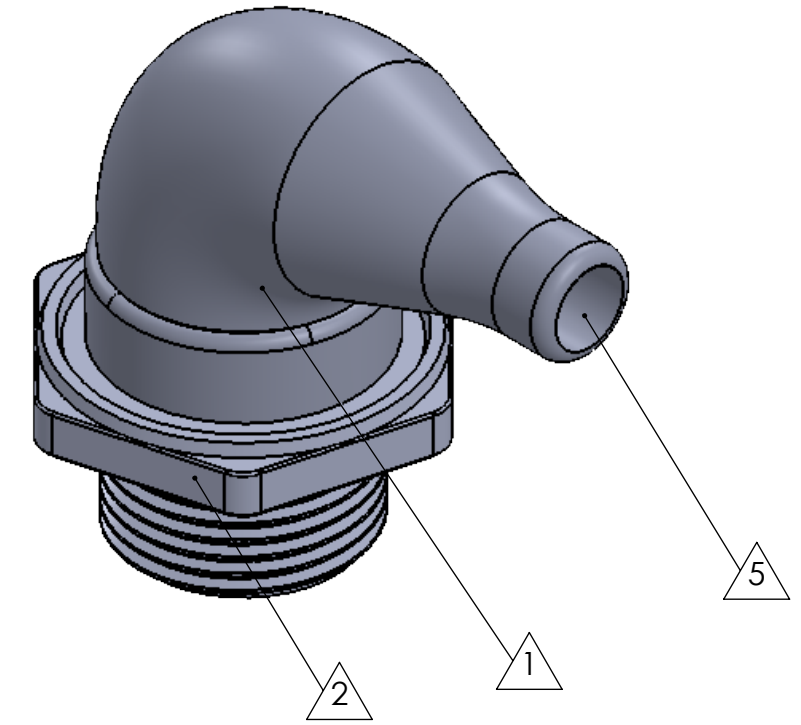


SECTION A-A
SCALE 1.5 : 1



ITEM	PART DESCRIPTION	PART NO.	MATERIAL
①	Heat-shrinkable boot	NU-2R	HS 3123
②	Body	NUP-2	Nylon
⑤	Adhesive	A-010	Hotmelt ADH

UNLESS OTHERWISE SPECIFIED:
 DIMENSIONS ARE IN INCHES
 TOLERANCES:
 FRACTIONAL ±1/32
 THREE PLACE DECIMAL ± 0.030
 DO NOT SCALE DRAWING

Nu-Tech

PART NO.
2-NUP-2R

DWG. NO. PRP:"SW-Title"

WEIGHT: SW-Mass@par19.SLDPRT REV

DRAWN: HH

DATE: 12/2/2019

SCALE: 1:1

SHEET 1 OF 1