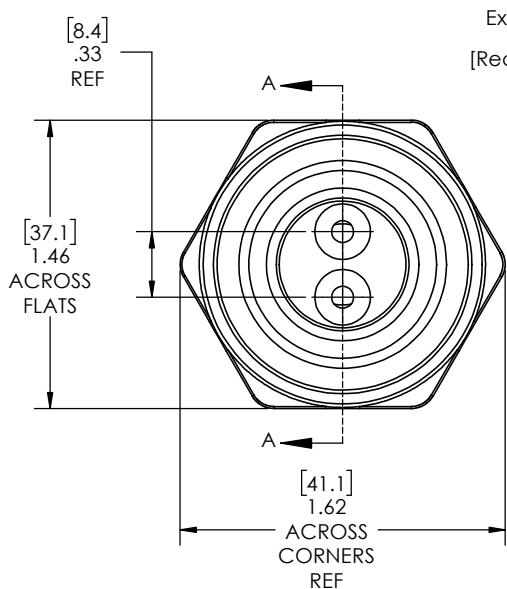
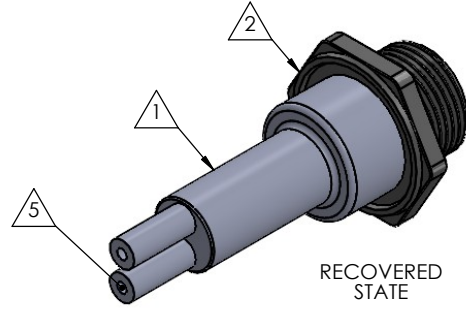
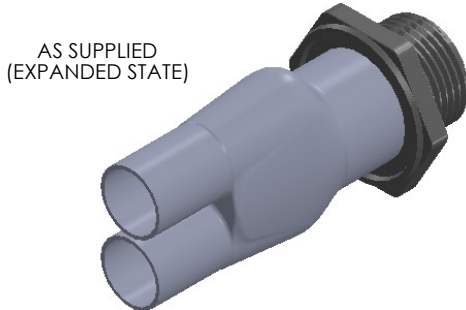
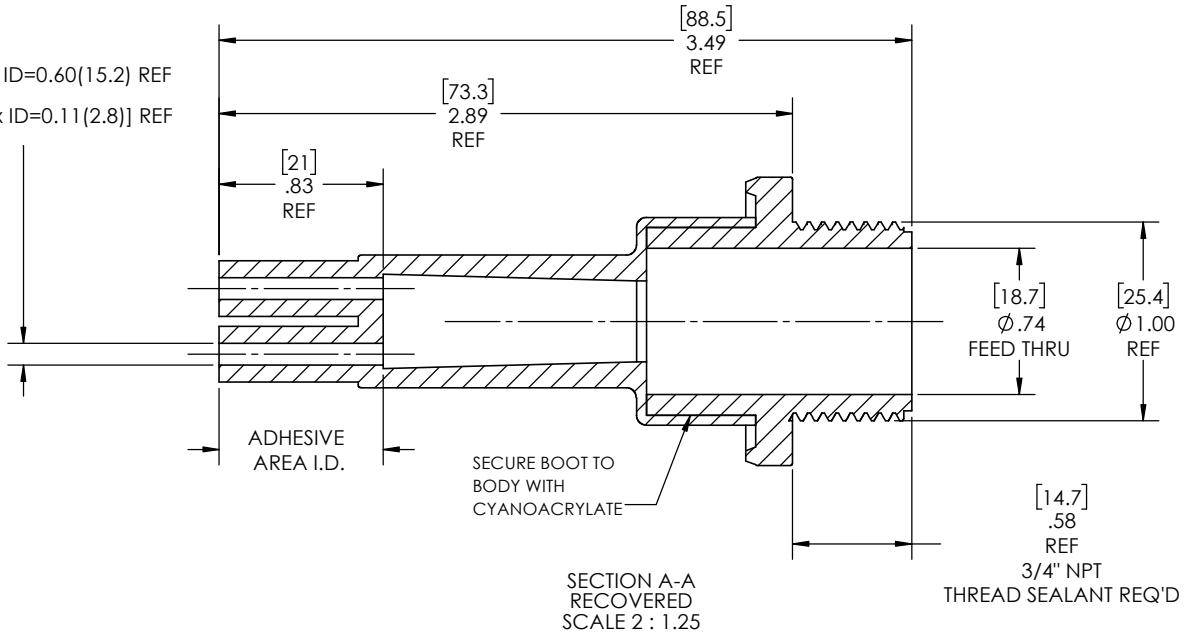


8 7 6 5 4 3 2 1

REVISIONS		
REV.	DESCRIPTION	DATE
A	UPDATE DRAWING TO 2025 STANDARDS. UPDATE TOLERANCE TABLE AND DECIMAL PRECISION	1/7/2026



Expanded Min ID=0.60(15.2) REF
[Recovered Max ID=0.11(2.8)] REF



- NOTES:
- ITEM#1 HEAT SHRINKABLE BOOT MATERIAL IS IN ACCORDANCE WITH POLYOLEFIN STANDARDS DEFINED IN SAE AS81765/1 REFERENCE DIMENSIONS MAY DEVIATE AS MUCH AS +OR- 1/4"
 - FACTORY APPLIED HOT MELT ADHESIVE IS STANDARD

ITEM	PART DESCRIPTION	PART NO.	MATERIAL
1	Heat-shrinkable boot	NUBB2-1	Flame Retardant Polyolefin
2	Body	P-2B	Glass Fiber Reinforced, PBT
5	Adhesive		Hotmelt Polyamide

NU-TECH

<small>UNLESS OTHERWISE SPECIFIED: DIMENSIONS ARE IN INCHES TOLERANCES: FRACTIONAL ±1/32 ONE DECIMAL PLACE ±0.060 TWO DECIMAL PLACE ±0.025 THREE DECIMAL PLACE ±0.010 DO NOT SCALE DRAWING</small>	PART NO. 2-NUP-2AOE	
	DWG. NO. 2-NUP-2AOE-ASSY	
	WEIGHT: 0.053	REV A
	SCALE: 1:1	SHEET 1 OF 1

PROPRIETARY AND CONFIDENTIAL
THE INFORMATION CONTAINED IN THIS DRAWING IS THE SOLE PROPERTY OF Cross Technology INC. ANY REPRODUCTION IN PART OR AS A WHOLE WITHOUT THE WRITTEN PERMISSION OF Cross Technology INC. IS PROHIBITED.

8 7 6 5 4 3 2 1