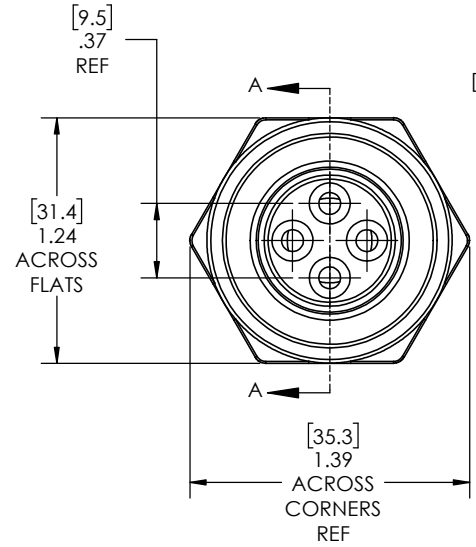
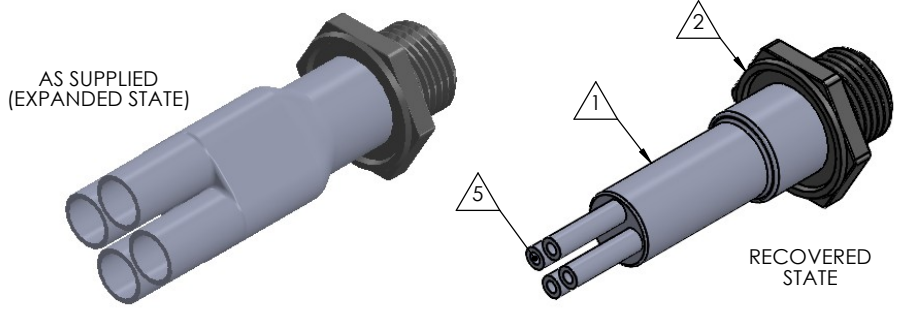
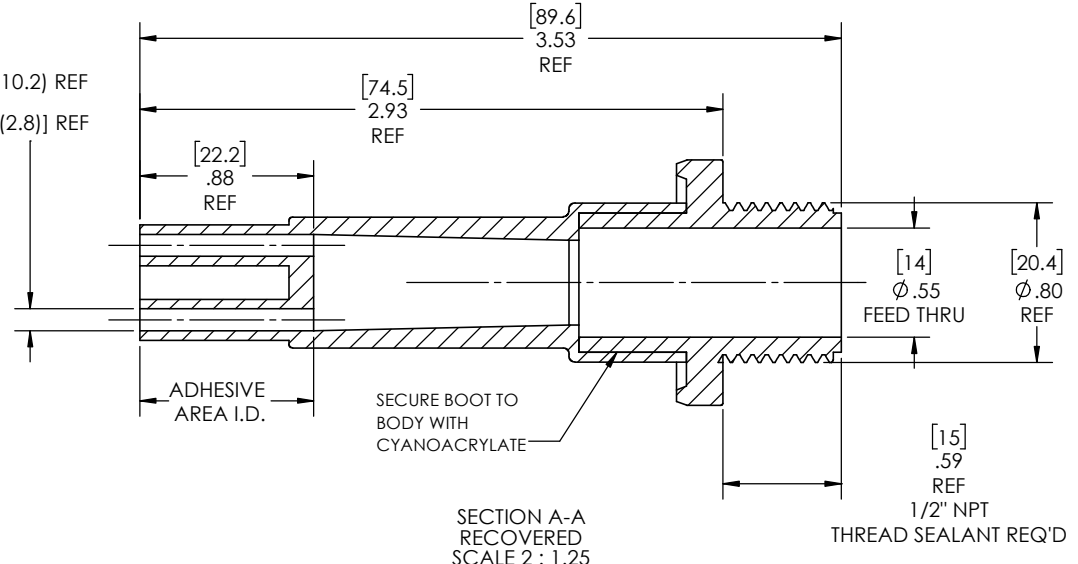


8 7 6 5 4 3 2 1

REVISIONS		
REV.	DESCRIPTION	DATE
A	UPDATE DRAWING TO 2025 STANDARDS. UPDATE TOLERANCE TABLE AND DECIMAL PRECISION	1/7/2026



Expanded Min ID=0.40(10.2) REF  
 [Recovered Max ID=0.11(2.8)] REF



SECTION A-A  
 RECOVERED  
 SCALE 2 : 1.25

1/2" NPT  
 THREAD SEALANT REQ'D

- NOTES:
- ITEM #1 HEAT SHRINKABLE BOOT MATERIAL IS IN ACCORDANCE WITH POLYOLEFIN STANDARDS DEFINED IN SAE AS81765/1 REFERENCE DIMENSIONS MAY DEVIATE AS MUCH AS +OR- 1/4"
  - FACTORY APPLIED HOT MELT ADHESIVE IS STANDARD

ITEM	PART DESCRIPTION	PART NO.	MATERIAL
1	Heat-shrinkable boot	NUBB4-1	Flame Retardant Polyolefin
2	Body	P-1B	Glass Fiber Reinforced, PBT
5	Adhesive		Hotmelt Polyamide

**NU-TECH**

UNLESS OTHERWISE SPECIFIED: DIMENSIONS ARE IN INCHES TOLERANCES: FRACTIONAL ±1/32 ONE DECIMAL PLACE ± 0.060 TWO DECIMAL PLACE ± 0.025 THREE DECIMAL PLACE ± 0.010 DO NOT SCALE DRAWING	PART NO.	
	1-NUP-4A	
	DWG. NO. 1-NUP-4A-ASSY	
	WEIGHT: 0.045	REV A
DRAWN: MLJ	DATE: 2/2/2026	SCALE: 2:1.25
		SHEET 1 OF 1

8 7 6 5 4 3 2 1