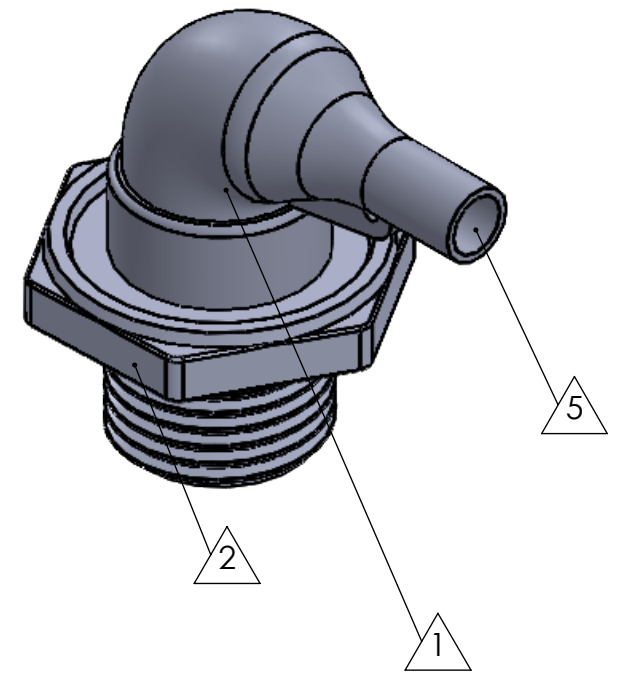


SECTION B-B  
SCALE 1.5 : 1



ITEM	PART DESCRIPTION	PART NO.	MATERIAL
①	Heat-shrinkable boot	NU-OR	HS 3123
②	Body	NUP-1	Nylon
⑤	Adhesive	A-010	Hotmelt ADH

UNLESS OTHERWISE SPECIFIED:  
 DIMENSIONS ARE IN INCHES  
 TOLERANCES:  
 FRACTIONAL ± 1/32  
 THREE PLACE DECIMAL ± 0.030  
 DO NOT SCALE DRAWING  
 DRAWN: HH    DATE: 7/9/2021

# Nu-Tech

PART NO.		1-NUP-OR	
DWG. NO.		PRP:"SW-Title"	
WEIGHT:	SW-Mass@par19.SLDPRT	REV	
SCALE:	1:1	SHEET 1 OF 1	