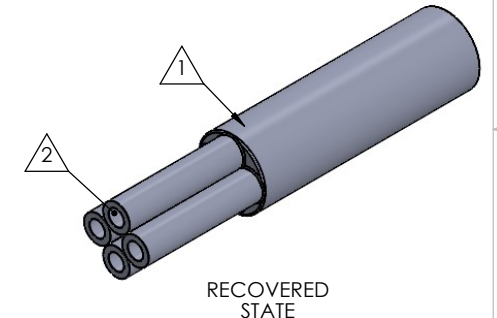
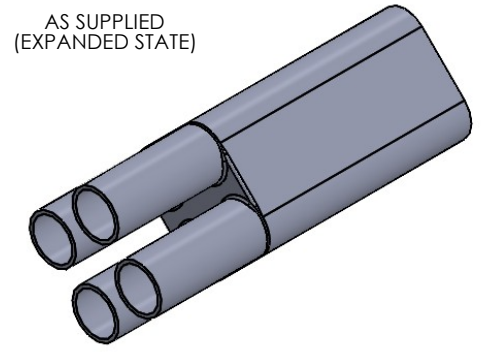
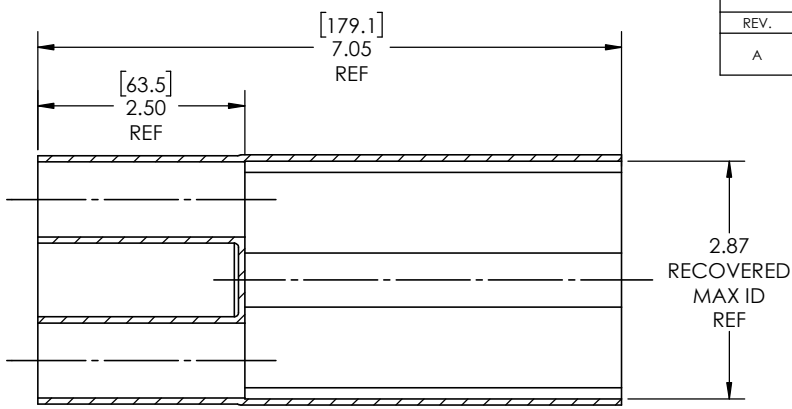
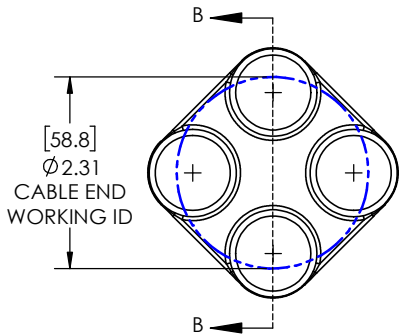
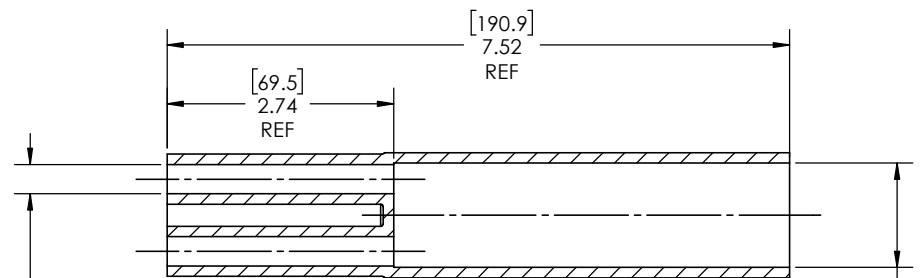
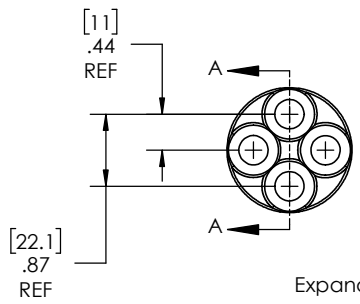


8 7 6 5 4 3 2 1

REVISIONS		
REV.	DESCRIPTION	DATE
A	UPDATE DRAWING TO 2025 STANDARDS	4/23/2026



SECTION B-B
EXPANDED
SCALE 1 : 1.5



SECTION A-A
RECOVERED
SCALE 1 : 1.5

Expanded Min ID= 0.91(23.1) REF
[Recovered Max ID = 0.35(8.9)] REF

Expanded Min ID= 2.31(58.8) REF
[Recovered Max ID = 1.26(32.0)] REF

NOTES:

- ITEM#1 - HEAT SHRINKABLE BOOT MATERIAL IS IN ACCORDANCE WITH POLYOLEFIN STANDARDS DEFINED IN SAE AS81765/1 REFERENCE DIMENSIONS MAY DEVIATE AS MUCH AS +OR- 1/4"
- ITEM#2 - FACTORY APPLIED HOT MELT ADHESIVE IS STANDARD - INTERIOR SURFACES.

ITEM	PART DESCRIPTION	PART NO.	MATERIAL
①	HEAT SHRINKABLE BOOT	NUBB4-7032	FLAME RETARDANT POLYOLEFIN
②	ADHESIVE		HOTMELT POLYAMIDE

PROPRIETARY AND CONFIDENTIAL
THE INFORMATION CONTAINED IN THIS DRAWING IS THE SOLE PROPERTY OF Cross Technology INC. ANY REPRODUCTION IN PART OR AS A WHOLE WITHOUT THE WRITTEN PERMISSION OF Cross Technology INC. IS PROHIBITED.

NU-TECH

UNLESS OTHERWISE SPECIFIED: DIMENSIONS ARE IN INCHES TOLERANCES: FRACTIONAL ±1/16 ONE DECIMAL PLACE ± 0.200 TWO DECIMAL PLACE ± 0.100 THREE DECIMAL PLACE ± 0.050	PART DESC. NUBB4-7032
DWG. NO. NUBB4-7032	REV A
WEIGHT: 0.157	SCALE: 1:1.5
DRAWN: MLJ	DATE: 4/23/2026
SHEET 1 OF 1	

8 7 6 5 4 3 2 1