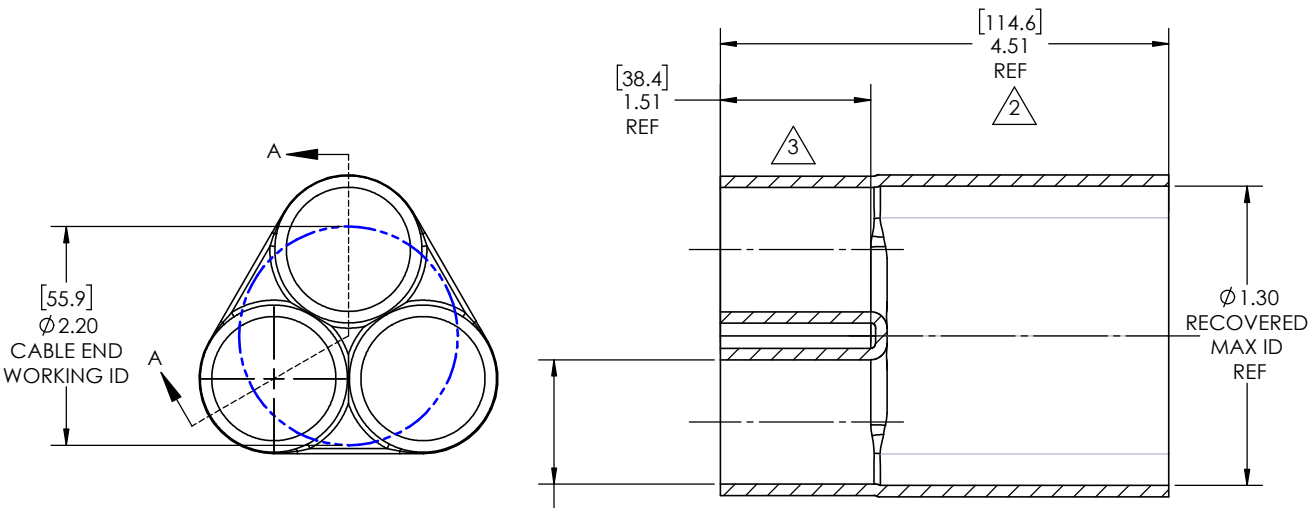
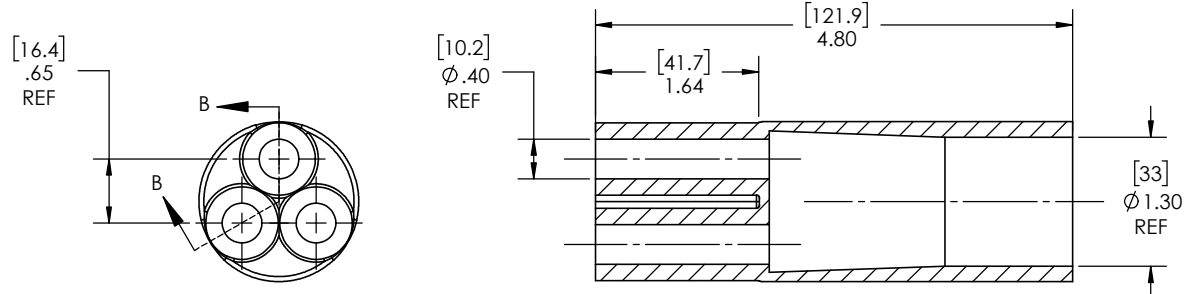
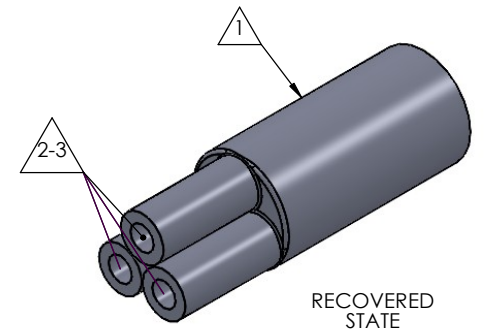
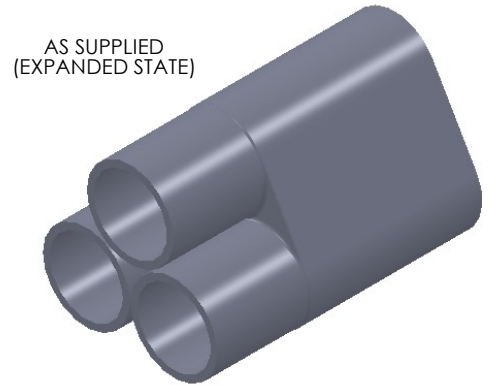


8 7 6 5 4 3 2 1

REVISIONS		
REV.	DESCRIPTION	DATE
A	UPDATE DRAWING TO 2025 STANDARDS	11/13/2025



Expanded Min ID= 1.25(31.8) REF
 [Recovered Max ID= 0.40(10.2)] REF
 SECTION A-A
 EXPANDED
 SCALE 1 : 1.25



SECTION B-B
 RECOVERED
 SCALE 1 : 1.25

- NOTES:
- ITEM#1 - HEAT SHRINKABLE BOOT MATERIAL IS IN ACCORDANCE WITH POLYOLEFIN STANDARDS DEFINED IN SAE AS81765/1 REFERENCE DIMENSIONS MAY DEVIATE AS MUCH AS +OR- 1/4"
 - ITEM#2 - FACTORY APPLIED HOT MELT ADHESIVE IS STANDARD - INTERIOR SURFACES.
 - ITEM #3 - BOOTS INTENDED FOR NU-TECH ASSEMBLIES WILL HAVE HOTMELT APPLIED INSIDE LEGS ONLY AFTER ASSEMBLY HAS BEEN COMPLETED.

ITEM	PART DESCRIPTION	PART NO.	MATERIAL
1	HEAT SHRINKABLE BOOT	M-NUBB3-4	FLAME RETARDANT POLYOLEFIN
2	ADHESIVE		HOTMELT POLYAMIDE

PROPRIETARY AND CONFIDENTIAL
 THE INFORMATION CONTAINED IN THIS DRAWING IS THE SOLE PROPERTY OF Cross Technology INC. ANY REPRODUCTION IN PART OR AS A WHOLE WITHOUT THE WRITTEN PERMISSION OF Cross Technology INC. IS PROHIBITED.

NU-TECH

UNLESS OTHERWISE SPECIFIED: PART DESC.	
DIMENSIONS ARE IN INCHES	
TOLERANCES:	
FRACTIONAL ±1/16	
ONE DECIMAL PLACE ± 0.200	
TWO DECIMAL PLACE ± 0.100	
THREE DECIMAL PLACE ± 0.050	
DWG. NO.	NUBB3-4
WEIGHT:	0.175
REV	A

8 7 6 5 4 3 2 1