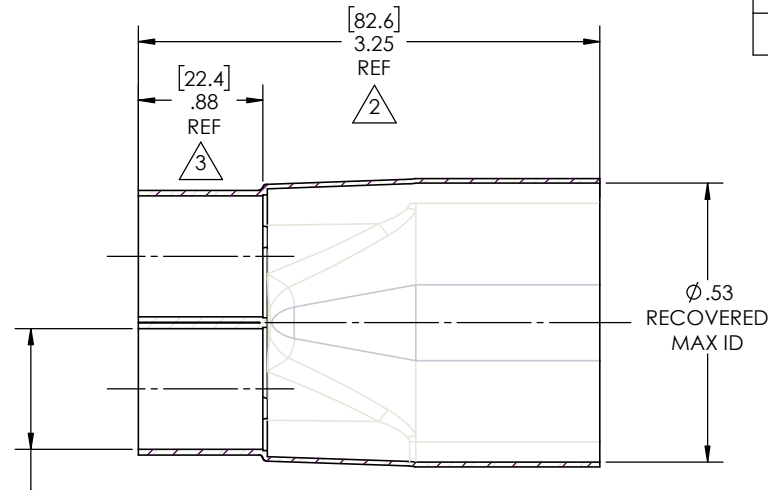


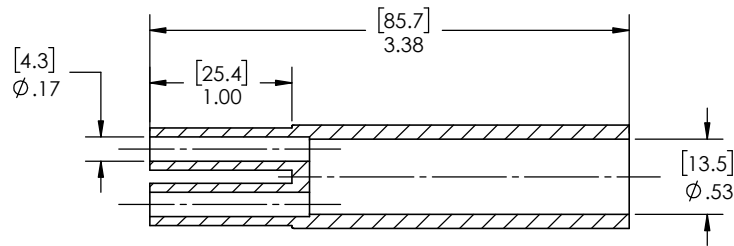
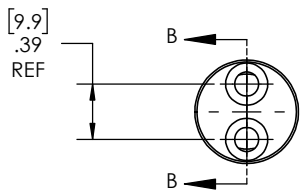
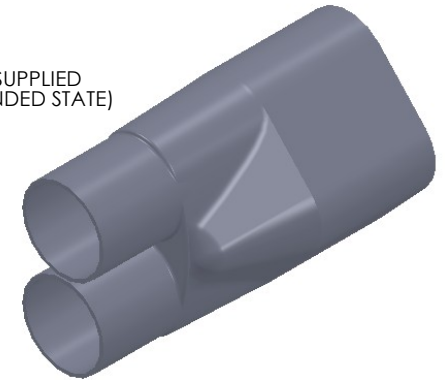
Expanded Min ID=0.85(21.6) REF
[Recovered Max ID=0.17(4.3)] REF



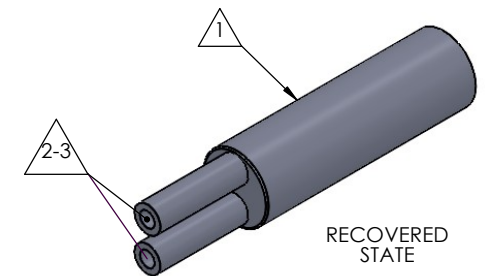
SECTION A-A
EXPANDED
SCALE 2 : 1.75

REVISIONS		
REV.	DESCRIPTION	DATE
A	UPDATE DRAWING TO 2025 STANDARDS	11/12/2025

AS SUPPLIED
(EXPANDED STATE)



SECTION B-B
RECOVERED
SCALE 2 : 1.75



NOTES:

- ITEM#1 - HEAT SHRINKABLE BOOT MATERIAL IS IN ACCORDANCE WITH POLYOLEFIN STANDARDS DEFINED IN SAE AS81765/1 REFERENCE DIMENSIONS MAY DEVIATE AS MUCH AS +OR- 1/4"
- ITEM#2 - FACTORY APPLIED HOT MELT ADHESIVE IS STANDARD - INTERIOR SURFACES.
- ITEM #3 - BOOTS INTENDED FOR NU-TECH ASSEMBLIES WILL HAVE HOTMELT APPLIED INSIDE LEGS ONLY AFTER ASSEMBLY HAS BEEN COMPLETED.

ITEM	PART DESCRIPTION	PART NO.	MATERIAL
1	HEAT SHRINKABLE BOOT	M-NUBB2-2	FLAME RETARDANT POLYOLEFIN
2	ADHESIVE		HOTMELT POLYAMIDE

PROPRIETARY AND CONFIDENTIAL

THE INFORMATION CONTAINED IN THIS DRAWING IS THE SOLE PROPERTY OF Cross Technology INC. ANY REPRODUCTION IN PART OR AS A WHOLE WITHOUT THE WRITTEN PERMISSION OF Cross Technology INC. IS PROHIBITED.

NU-TECH

UNLESS OTHERWISE SPECIFIED:
DIMENSIONS ARE IN INCHES
TOLERANCES:
FRACTIONAL ±1/16
ONE DECIMAL PLACE ± 0.200
TWO DECIMAL PLACE ± 0.100
THREE DECIMAL PLACE ± 0.050

PART DESC.
NUBB2-2OE

DWG. NO. **NUBB2-2OE**

WEIGHT: **0.0194** REV **A**

DRAWN: MLJ DATE: 2/4/2026 SCALE: 2:1.75 SHEET 1 OF 1